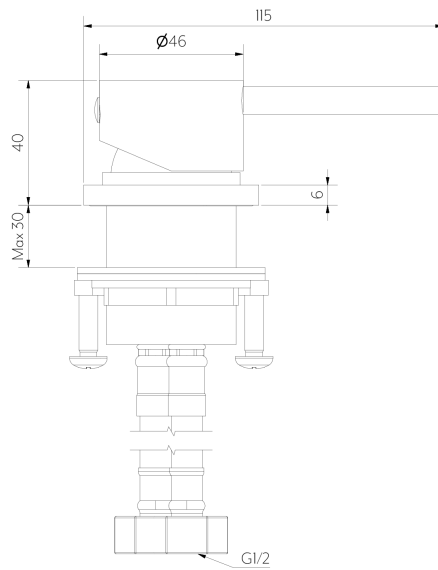


Top View



Front View



**Note:** Dimensions are nominal measurements only

## SPECIFICATIONS

RECOMMENDED USE | WARRANTY

Domestic | [Click here for warranty periods](#)

MATERIAL

Solid Brass

TEMPERATURE RATING

Maximum continuous working temperature 75°C  
If the water temperature exceeds 75°C, an approved tempering valve must be fitted

PRESSURE RATING

Recommended minimum working pressure 150kPa  
Recommended maximum working pressure 500kPa  
Hot and cold water inlet pressure should be equal

SUITABLE HOT WATER UNITS

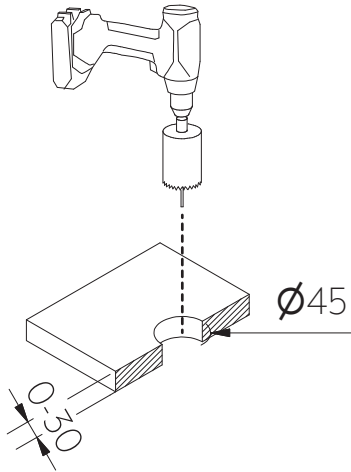
Storage tank: Yes  
Continuous flow: Yes  
Gravity fed: Not suitable

# INSTALLATION GUIDE

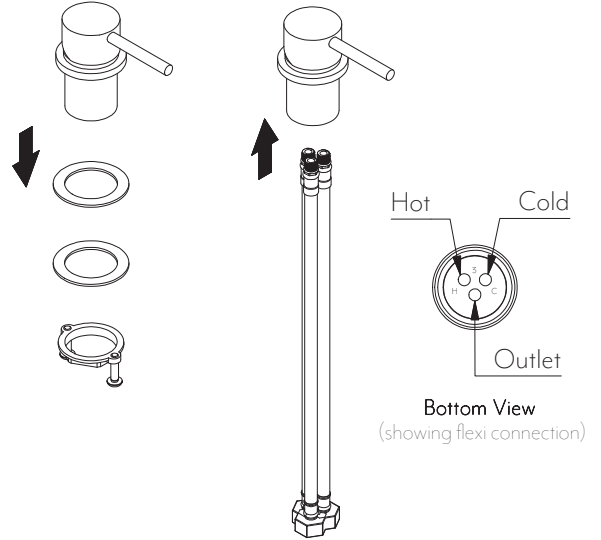
**Note:** This product must be installed by a licensed plumber. This is a general installation guide - there are many factors involved that can alter the installation method. **AU/NZ:** For installations within Australia and New Zealand, this product must be installed in compliance with AS/NZS 3500. **UK:** For installations in the United Kingdom this product must be installed in compliance with the Water Supply (Water Fittings) Regulations and Water Supply (Water Fittings) (Scotland) Byelaws. **Other:** For installations outside these countries, this product must be installed in compliance with the standards in your respective country.



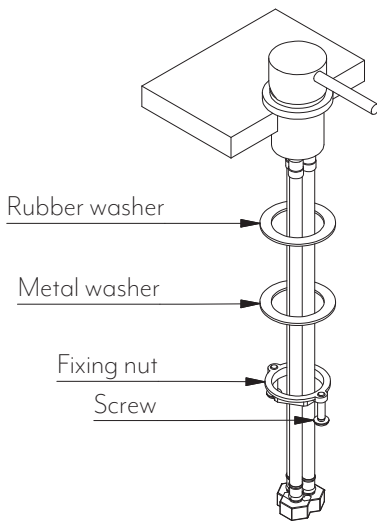
- ① Make a hole 45mm in diameter.  
**Note:** If cutting a stone benchtop it will need to be cut in a controlled environment by a licensed tradesperson as per OH&S regulations.



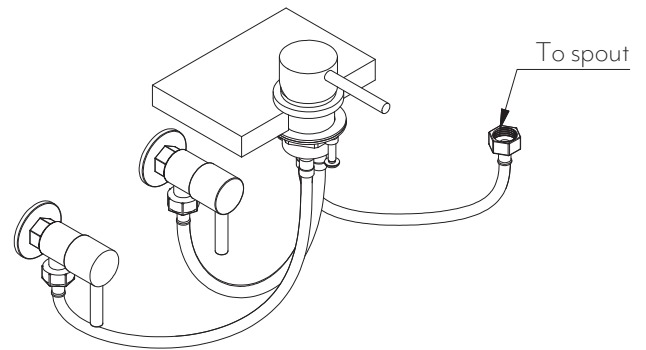
- ② 1. Remove the fixing nut and washers.  
 2. Connect the flexi hoses (take note of red & blue mark)



- ③ Push the flexi hoses through the hole. Fix to the bench by screwing the fixing nut and washers.



- ④ Attach the hot/cold flexi hoses to the corresponding hot/cold water supply.  
**Note:** Purge the lines with fresh water before connecting the flexi hoses to any spout.



## IN THE BOX

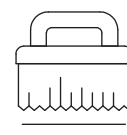
	1x Elysian mixer -Handle, Cartridge		3x Flexible hose
	1x Back plate		
	1x Rubber washer		
	1x Metal washer		
	1x Fixing nut		



Regularly clean with mild liquid detergent or soap and water



DO NOT use cream cleaners or bleach. These substances are abrasive



DO NOT use cleaning pads with abrasive surfaces as this may scratch the material