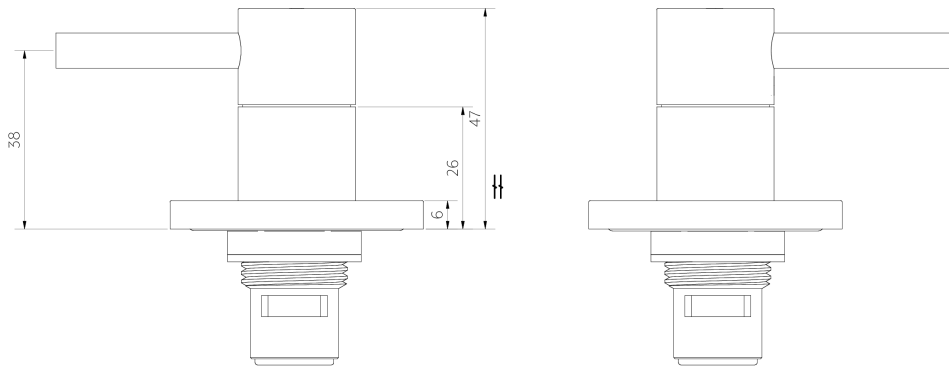


Top View



Front View

Note: Dimensions are nominal measurements only

SPECIFICATIONS

RECOMMENDED USE

Domestic

MATERIAL

Solid Brass

TEMPERATURE RATING

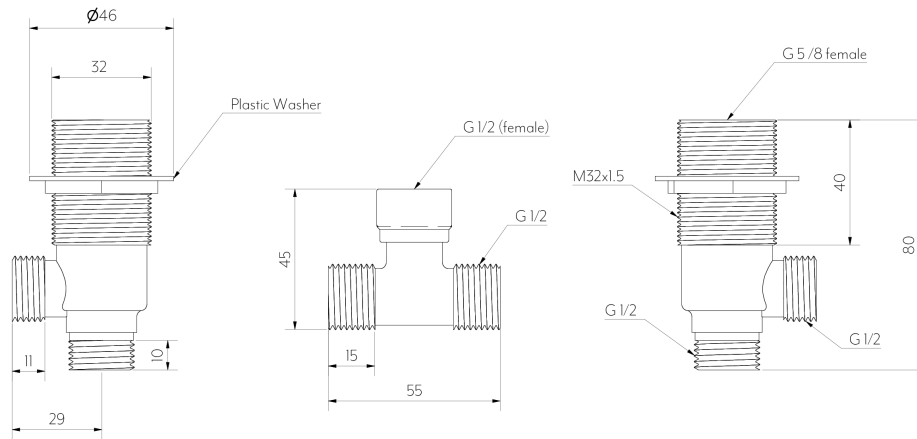
Maximum continuous working temperature 75°C
If the water temperature exceeds 75°C, an approved tempering valve must be fitted

PRESSURE RATING

Recommended minimum working pressure 150kPa
Recommended maximum working pressure 500kPa
Hot and cold water inlet pressure should be equal

PACKAGING

Box 1 of 3 Assembly Bench Mounted Breech
Box 2 of 3 In-Wall Assembly Taps - Adjustable Extended Spindle Set (Rough-In)
Box 3 of 3 Elysian Assembly Handle Kit (Fit-Off)



Front View

Note: Dimensions are nominal measurements only

SPECIFICATIONS

RECOMMENDED USE

Domestic

MATERIAL

Solid Brass

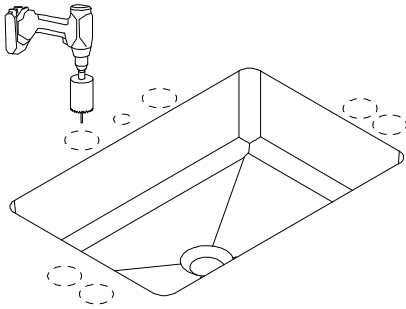
INSTALLATION GUIDE

Note: This product must be installed by a licensed plumber. This is a general installation guide - there are many factors involved that can alter the installation method. **AU/NZ:** For installations within Australia and New Zealand, this product must be installed in compliance with AS/NZS 3500. **UK:** For installations in the United Kingdom this product must be installed in compliance with the Water Supply (Water Fittings) Regulations and Water Supply (Water Fittings) (Scotland) Byelaws. **Other:** For installations outside these countries, this product must be installed in compliance with the standards in your respective country.

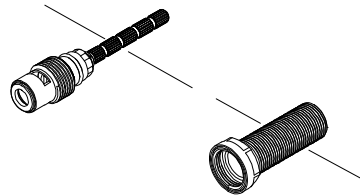


① Plan out your handle locations in relation to your spout and drill Ø32mm holes for the handles.

*Flexi hoses are not included in the box. Purchase based on distance from handles to spout.



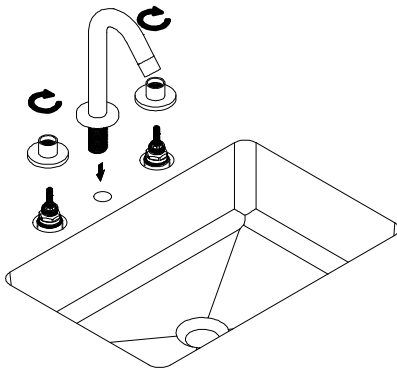
② Cut spindle and locking nut to suit selected handle kits.
*see handle kit install guide for measurements.



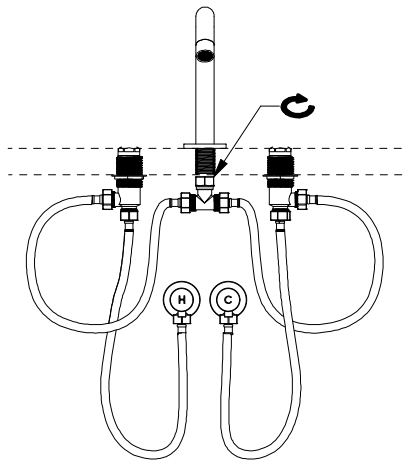
③ Install cut spindles into the breech body, ensuring the spindles are installed in the order shown below, including the fibre washer.



④ Install the breech into the bench, securing from the top with your chosen handle kit base plate. Install the spout into the bench with the provided fixings.



⑤ Secure spout to T piece with slip nut. Connect water outlets to breech. Connect breech pieces to spout.
*Ensure not to kink flexi hoses.



⑥ Continue installing the handle kit of your choice. See following page for handle kit fit off. Test and Commission.

In the Box



2x Breech body



1x T-Piece



2x Plastic washer



2x Locking nut



2x Plastic olive



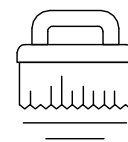
2x Olive nuts



Regularly clean with mild liquid detergent or soap and water



DO NOT use cream cleaners or bleach. These substances are abrasive



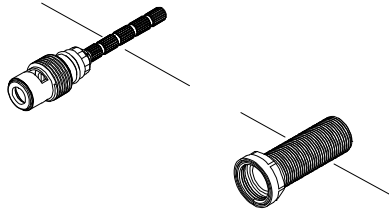
DO NOT use cleaning pads with abrasive surfaces as this may scratch the material

INSTALLATION GUIDE

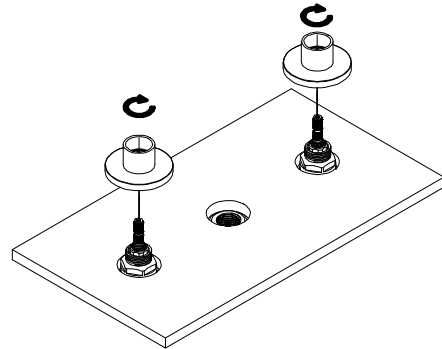
Note: This product must be installed by a licensed plumber. This is a general installation guide - there are many factors involved that can alter the installation method. **AU/NZ:** For installations within Australia and New Zealand, this product must be installed in compliance with AS/NZS 3500. **UK:** For installations in the United Kingdom this product must be installed in compliance with the Water Supply (Water Fittings) Regulations and Water Supply (Water Fittings) (Scotland) Byelaws. **Other:** For installations outside these countries, this product must be installed in compliance with the standards in your respective country.



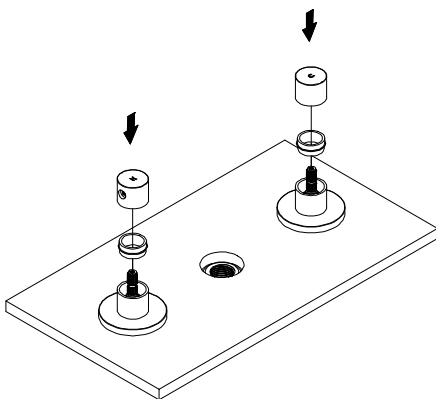
- ① Prepare your spindles for installation.
 Cut spline at the third notch from the bottom.
 Cut the locking nut 32mm from base.
 This will service bench thickness of 18-50mm.
 *Max bench thickness = 70mm



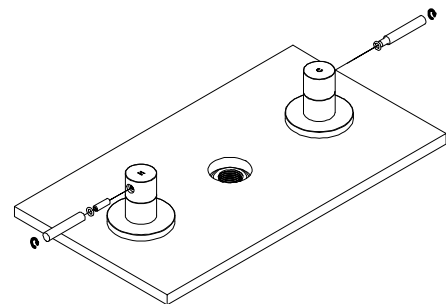
- ② Screw backplate onto locking nut to fix in place.



- ③ Ensure plastic collar is installed followed by the handle.



- ④ Lock handle with grub screw. Make sure small o-ring is installed then screw on handle.



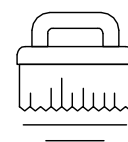
In the box					
2 x Back plate	2 x Slip collar	2 x Handle	2 x Handle stem	2 x Small o-ring	2 x Grub screw



Regularly clean with mild liquid detergent or soap and water



DO NOT use cream cleaners or bleach. These substances are abrasive



DO NOT use cleaning pads with abrasive surfaces as this may scratch the material