

Note: Dimensions are nominal measurements only

SPECIFICATIONS

RECOMMENDED USE

Domestic

MATERIAL

304 Stainless Steel

PRESSURE RATING

Recommended minimum working pressure 0.2 Bar
Recommended maximum working pressure 5 Bar
Hot and cold water inlet pressure should be equal

TEMPERATURE RATING

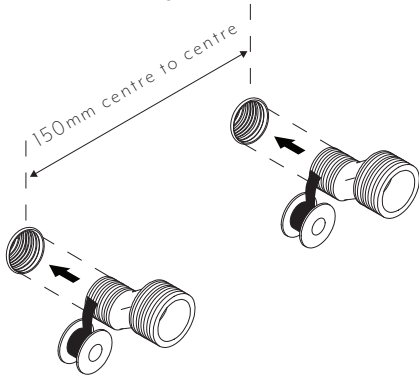
Maximum continuous working temperature 75°C
If the water temperature exceeds 75°C, an approved tempering valve must be fitted

INSTALLATION GUIDE

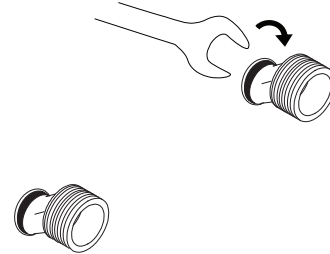
Note: This product must be installed by a licensed plumber. This is a general installation guide - there are many factors involved that can alter the installation method. **AU/NZ:** For installations within Australia and New Zealand, this product must be installed in compliance with AS/NZS 3500. **UK:** For installations in the United Kingdom this product must be installed in compliance with the Water Supply (Water Fittings) Regulations and Water Supply (Water Fittings) (Scotland) Byelaws. **Other:** For installations outside these countries, this product must be installed in compliance with the standards in your respective country.



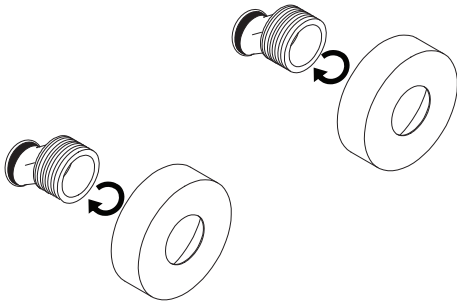
- 1 Apply tape to S union connectors and screw into wall fittings.



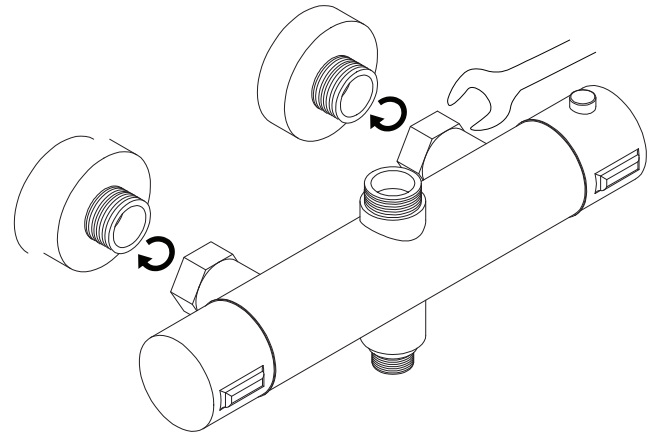
- 2 Tighten connectors with spanner.



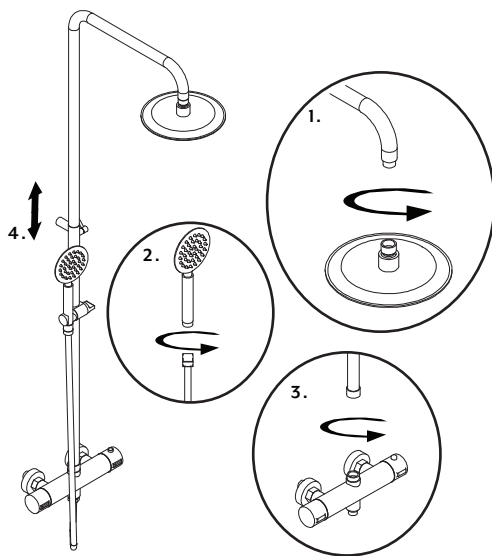
- 3 Screw on back plates.



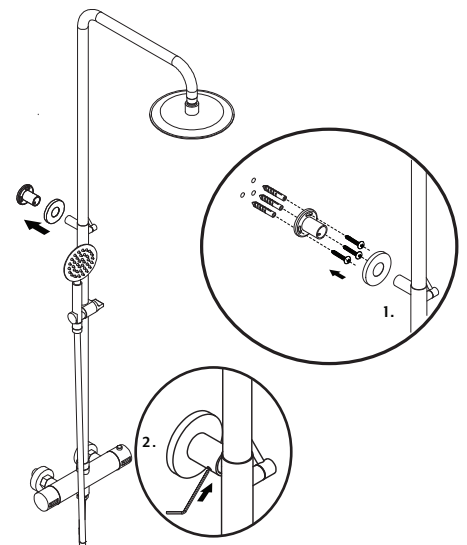
- 4 Fasten thermostatic mixer to connectors by tightening nuts with spanner.



- 5 1. - 3. Assemble shower rail, hose and shower heads to the thermostatic mixer.
4. Adjust shower rail to appropriate height.



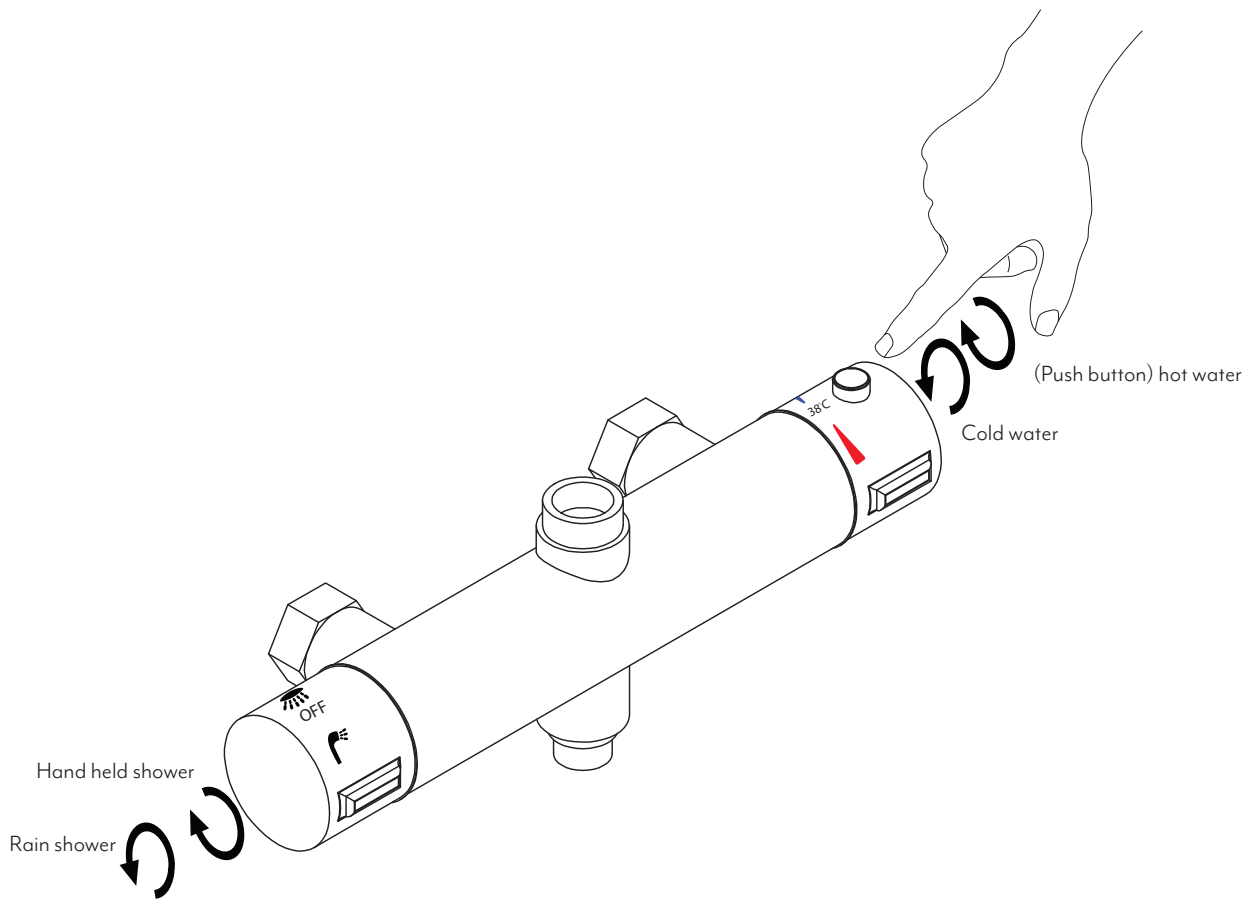
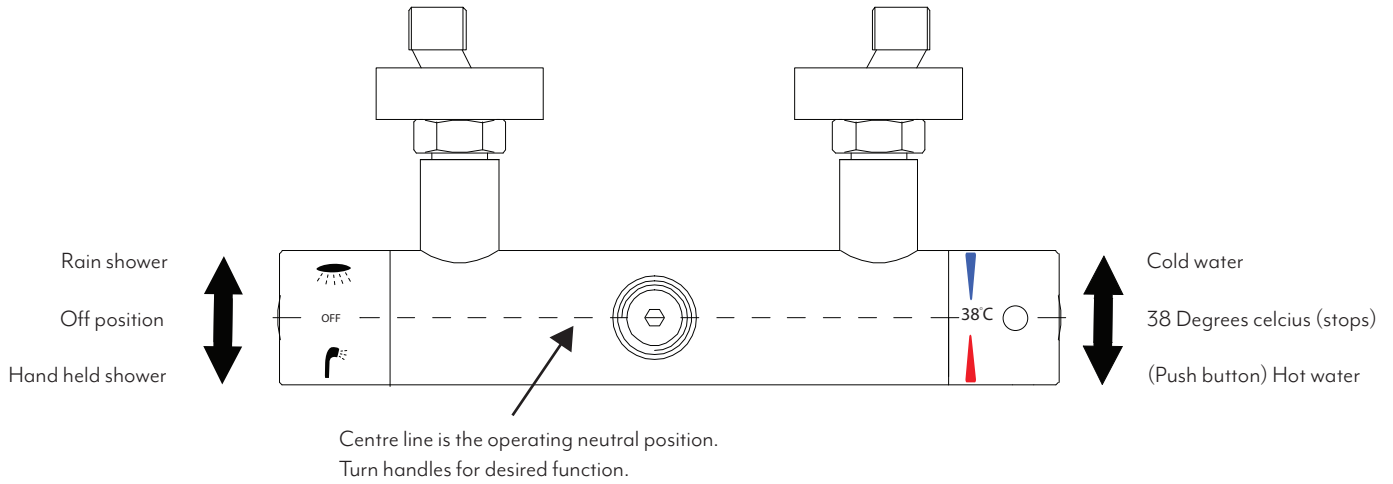
- 6 1. Fix bracket to wall with fixings provided.
2. Use allen key to fasten to shower rail.



IN THE BOX	3x Screw	1x Bracket	1x Thin Back Plate	2x Back Plate	2x S union connector
	3x Wall Plug	1x Hand Shower	1x Rain Shower Head	1x Shower Hose	1x Thermostatic Mixer

INSTALLATION GUIDE

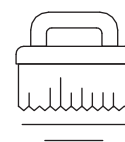
Note: This product must be installed by a licensed plumber. This is a general installation guide - there are many factors involved that can alter the installation method. **AU/NZ:** For installations within Australia and New Zealand, this product must be installed in compliance with AS/NZS 3500. **UK:** For installations in the United Kingdom this product must be installed in compliance with the Water Supply (Water Fittings) Regulations and Water Supply (Water Fittings) (Scotland) Byelaws. **Other:** For installations outside these countries, this product must be installed in compliance with the standards in your respective country.



Regularly clean with mild liquid detergent or soap and water



DO NOT use cream cleaners or bleach. These substances are abrasive



DO NOT use cleaning pads with abrasive surfaces as this may scratch the material