

**Note:** Dimensions are nominal measurements only

## SPECIFICATIONS

### RECOMMENDED USE

Domestic/Commercial | [Click here for warranty periods](#)

### MATERIAL

Solid Brass

### TEMPERATURE RATING

Maximum continuous working temperature 75°C  
If the water temperature exceeds 75°C, an approved tempering valve must be fitted

### PRESSURE RATING

Recommended minimum working pressure 150kPa  
Recommended maximum working pressure 500kPa  
Hot and cold water inlet pressure should be equal

### SUITABLE HOT WATER UNITS

Storage tank: Yes  
Continuous Flow: Yes  
Gravity Feed: Not suitable

### STANDARDS

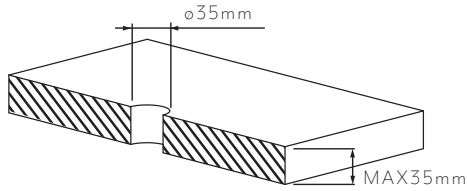
WELS 5 Star, 6L/min, T43728

# INSTALLATION GUIDE

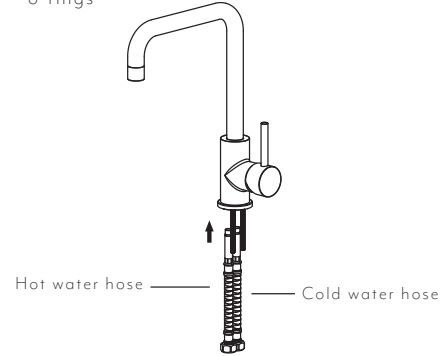


**Note:** This product must be installed by a licensed plumber. This is a general installation guide - there are many factors involved that can alter the installation method. **AU/NZ:** For installations within Australia and New Zealand, this product must be installed in compliance with AS/NZS 3500. **UK:** For installations in the United Kingdom this product must be installed in compliance with the Water Supply (Water Fittings) Regulations and Water Supply (Water Fittings) (Scotland) Byelaws. **Other:** For installations outside these countries, this product must be installed in compliance with the standards in your respective country.

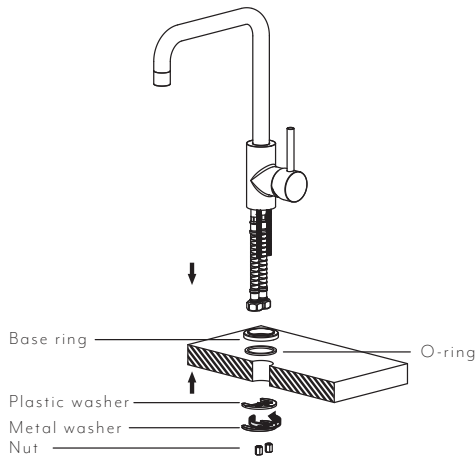
- 1 Mark hole in benchtop at desired position and drill a 35mm hole.



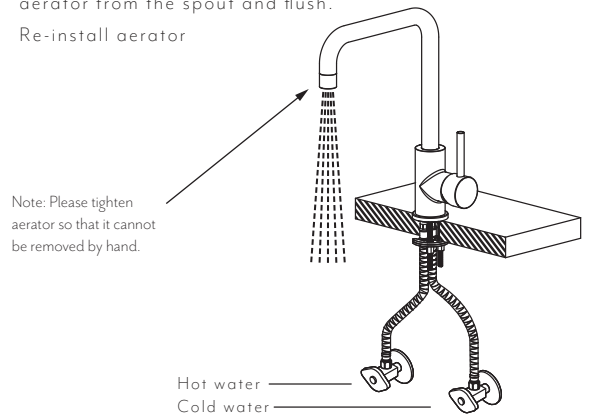
- 2 As shown in the figure, connect the H & C flexible hoses. ABI recommends applying appropriate lubricant to o-rings



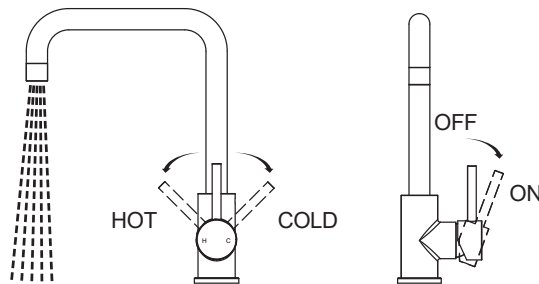
- 3 Install the basin mixer by fixing the washers, nut & screws on the underside of the benchtop.



- 4 Attach the two flexible hoses to water supply and hand tighten. Remove the aerator from the spout and flush. Re-install aerator



## MIXER OPERATION



Regularly clean with mild liquid detergent or soap and water.



DO NOT use cream cleaners or bleach. These substances are abrasive.



DO NOT use cleaning pads with abrasive surfaces as this may scratch the material.