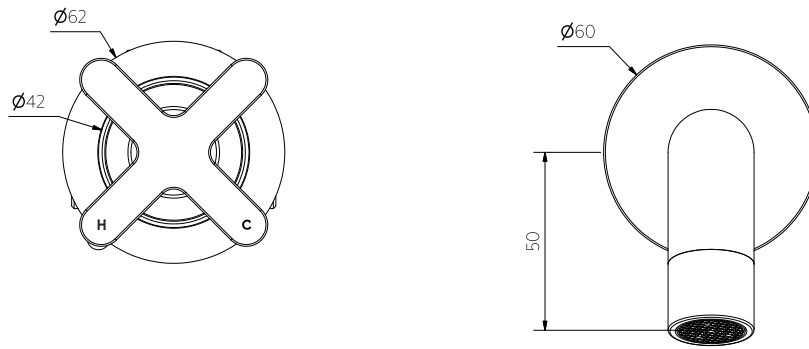


Side View



Front View

**Note: Dimensions are nominal measurements only**

## SPECIFICATIONS

### RECOMMENDED USE | WARRANTY

Domestic/Commercial | [Click here for warranty periods](#)

### TEMPERATURE RATING

Maximum continuous working temperature 75°C  
If the water temperature exceeds 75°C, an approved tempering valve must be fitted

### PRESSURE RATING

Recommended minimum working pressure 150kPa  
Recommended maximum working pressure 500kPa  
Hot and cold water inlet pressure should be equal

### SUITABLE HOT WATER UNITS

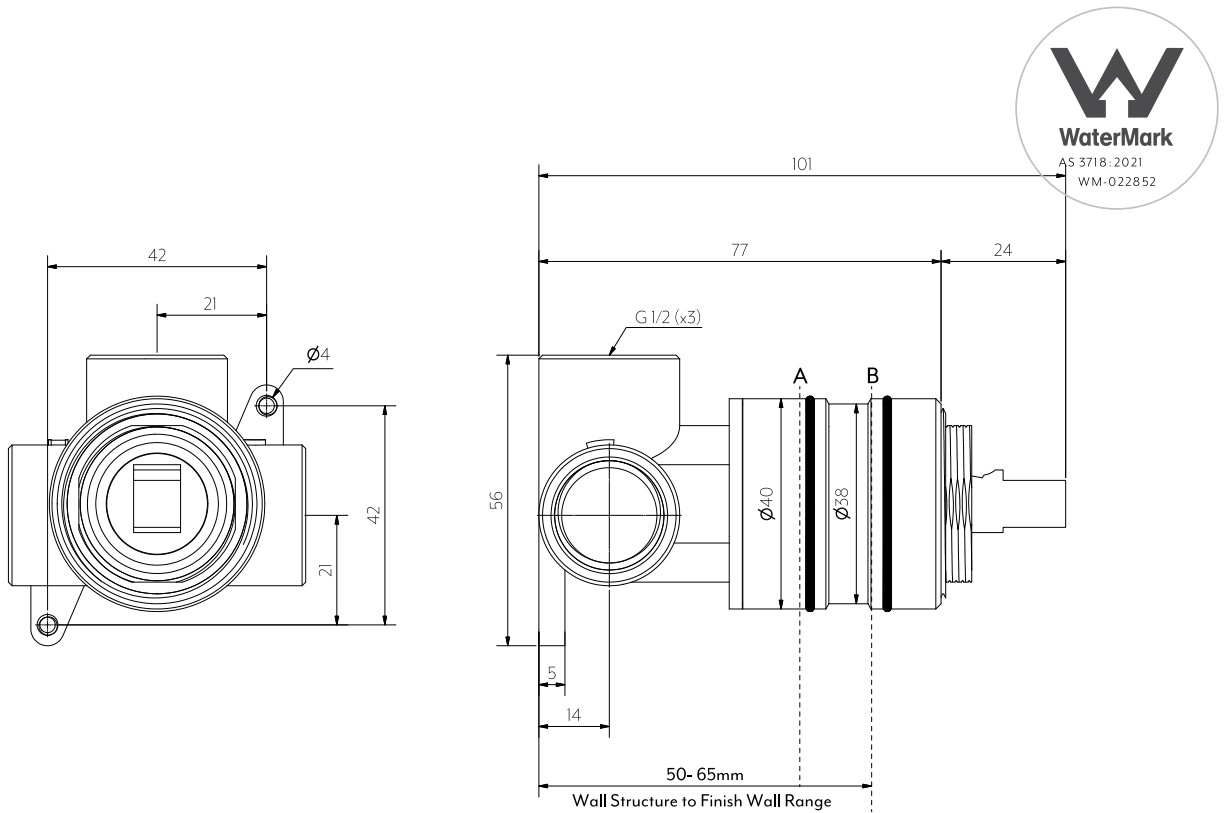
Storage tank: Yes  
Continuous Flow: Yes  
Gravity Feed: Not suitable

### STANDARDS

WELS 5 star, 6L/min, T43737

### PACKAGING

Box 1 of 3 In-Wall Progressive Mixer Body (Rough-In)  
Box 2 of 3 Cross Progressive Handle Kit (Fit-Off)  
Box 3 of 3 Wall Mounted Spout (Fit-Off)



Front View

Side View

**DISCLAIMER:** To achieve infiniti (interchangeable sleeves) finish wall must fall between point A and B. Please ensure waterproofing is set back from finish wall and does not obstruct sleeves.

**Note:** Dimensions are nominal measurements only

## SPECIFICATIONS

### RECOMMENDED USE | WARRANTY

Domestic/ Commercial | [Click here for warranty periods](#)

### MATERIAL

Solid Brass

### TEMPERATURE RATING

Maximum continuous working temperature 75°C  
If the water temperature exceeds 75°C, an approved tempering valve must be fitted

### PRESSURE RATING

Recommended minimum working pressure 150kPa  
Recommended maximum working pressure 500kPa  
Hot and cold water inlet pressure should be equal

### SUITABLE HOT WATER UNITS

Storage tank: Yes  
Continuous Flow: Yes  
Gravity Feed: Not suitable

### STANDARDS

AS/NZS 3718:2005, WM-022852

# INSTALLATION GUIDE

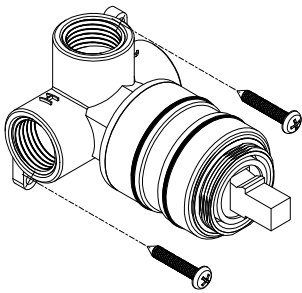
**Note:** This product must be installed by a licensed plumber. This is a general installation guide - there are many factors involved that can alter the installation method. **AU/NZ:** For installations within Australia and New Zealand, this product must be installed in compliance with AS/NZS 3500. **UK:** For installations in the United Kingdom this product must be installed in compliance with the Water Supply (Water Fittings) Regulations and Water Supply (Water Fittings) (Scotland) Byelaws. **Other:** For installations outside these countries, this product must be installed in compliance with the standards in your respective country.



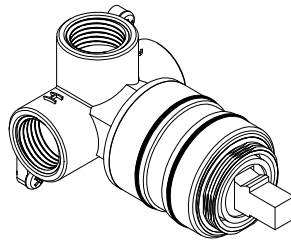
## ROUGH IN

See Specification image for finish wall setback

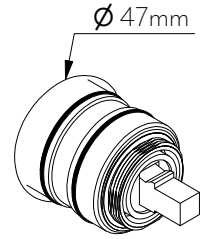
- ① Screw in-wall body into wall structure with provided screws.



- ② Connect hot, cold and mixed lines. TEST AND CHECK FOR LEAKS.

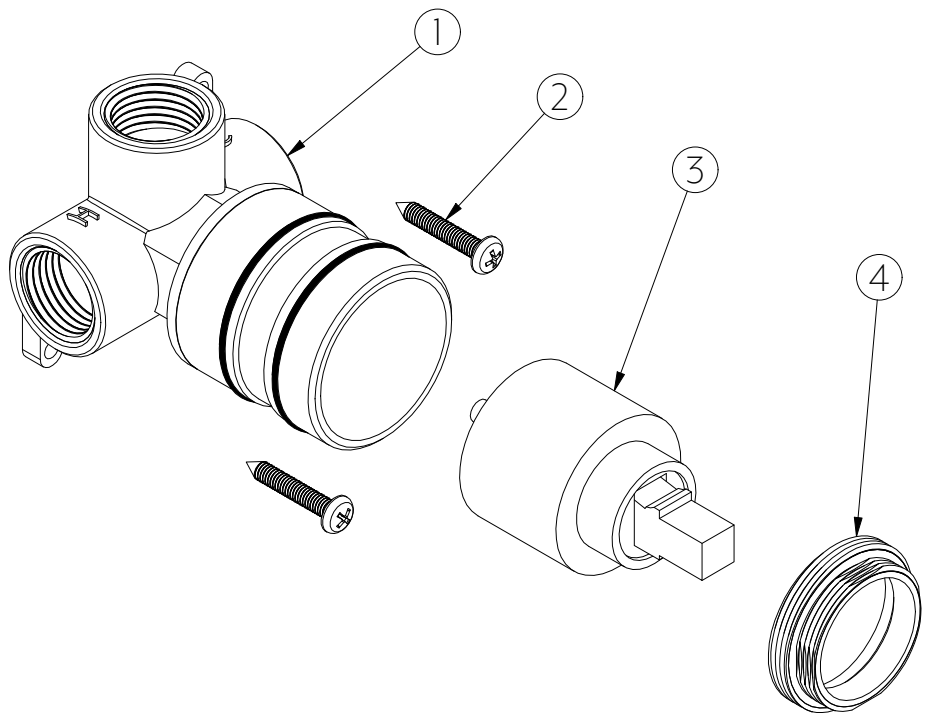


- ③ Sheeting and waterproof layer can now be applied.  
\*Ensure cutout in finish wall is 47mm diameter.



## WHAT'S IN THE BOX

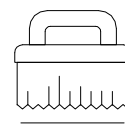
- 1. Body
- 2. Fixing screws
- 3. Cartridge
- 4. Locking nut



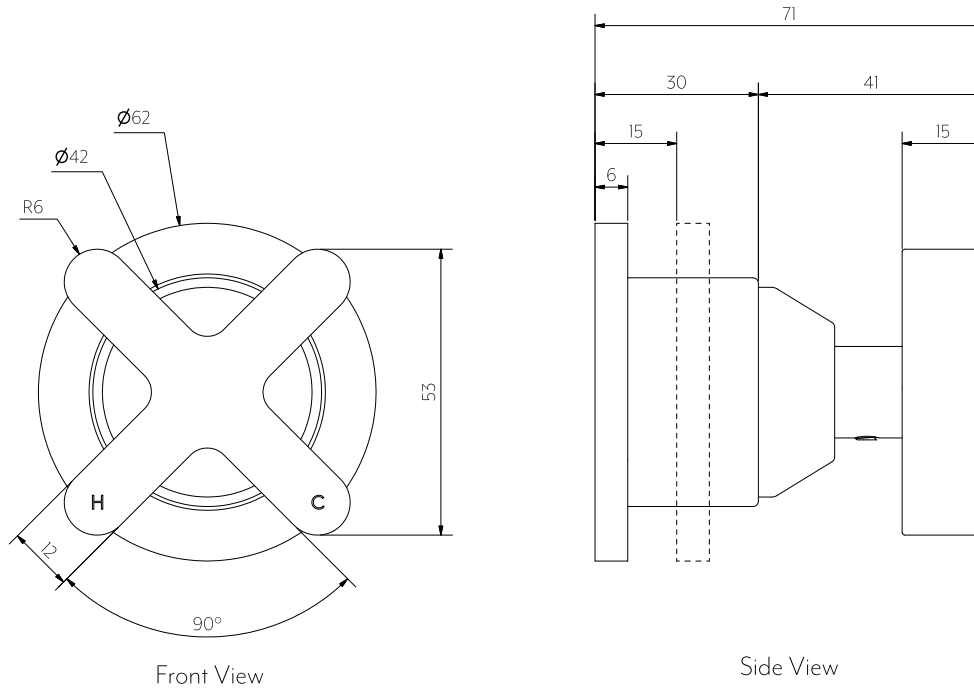
Regularly clean with mild liquid detergent or soap and water



DO NOT use cream cleaners or bleach. These substances are abrasive



DO NOT use cleaning pads with abrasive surfaces as this may scratch the material



**Note:** Spindle & spindle body (in wall) not included in handle kit

**Note:** Dimensions are nominal measurements only

## SPECIFICATIONS

RECOMMENDED USE

Domestic

MATERIAL

Solid Brass

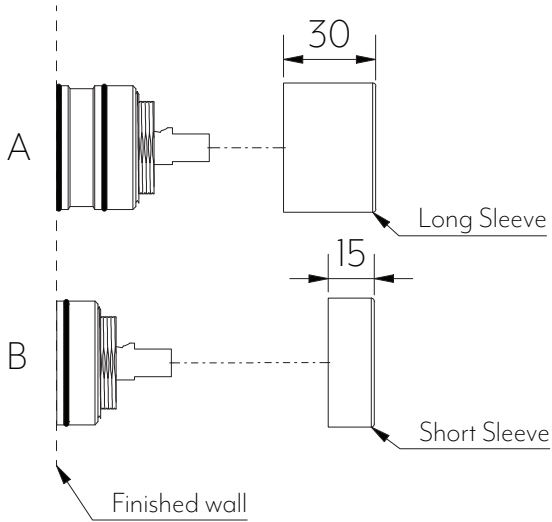
# INSTALLATION GUIDE



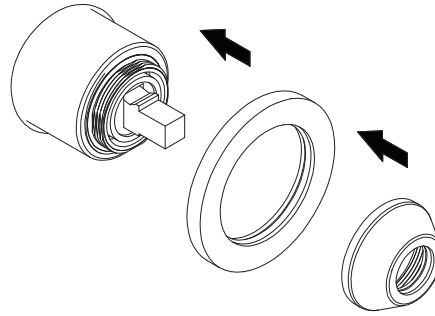
**Note:** This product must be installed by a licensed plumber. This is a general installation guide - there are many factors involved that can alter the installation method. **AU/NZ:** For installations within Australia and New Zealand, this product must be installed in compliance with AS/NZS 3500. **UK:** For installations in the United Kingdom this product must be installed in compliance with the Water Supply (Water Fittings) Regulations and Water Supply (Water Fittings) (Scotland) Byelaws. **Other:** For installations outside these countries, this product must be installed in compliance with the standards in your respective country.

**NOTE:** See Progressive Mixer Body installation guide for In-Wall set out.

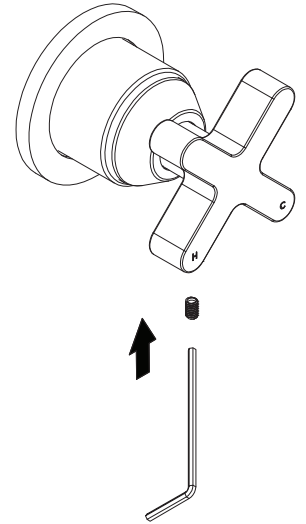
- 1 Choose sleeve based on how far your In-wall protrudes from finish wall and slide on.



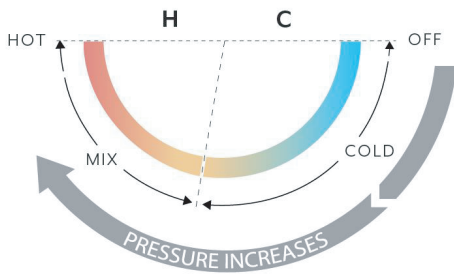
- 2 Slide back plate on. Screw dome on.



- 3 Tighten grub screw with allen key. Replace grub screw cap.

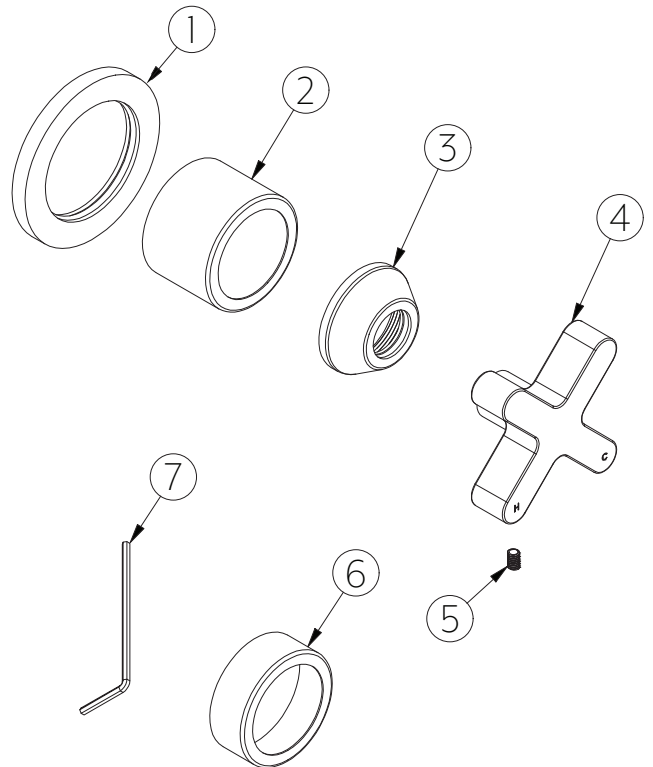


## MIXER OPERATION



## WHAT'S IN THE BOX

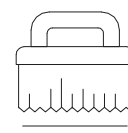
1. Back plate
2. Long sleeve
3. Dome
4. Handle
5. Grub screw
6. Short sleeve
7. Allen key



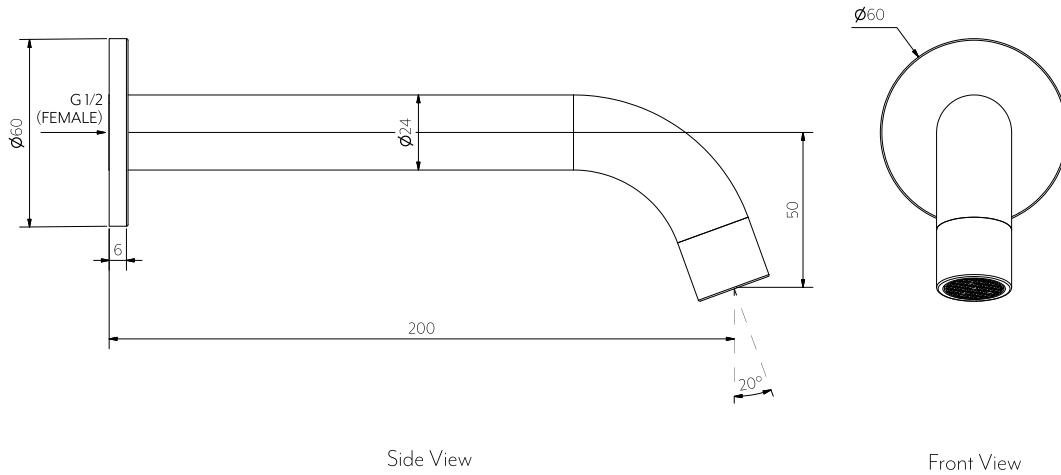
Regularly clean with mild liquid detergent or soap and water



DO NOT use cream cleaners or bleach. These substances are abrasive



DO NOT use cleaning pads with abrasive surfaces as this may scratch the material



**Note:** Dimensions are nominal measurements only

## SPECIFICATIONS

### RECOMMENDED USE | WARRANTY

Domestic/Commercial | [Click here for warranty periods](#)

### INSTALLATION

Installation is subject to the requirements of the applicable regulatory authority, the National Construction Code Volume Three (NCC Vol.3)- Plumbing Code of Australia, associated reference standards as applicable at the time and AS/NZS 3500

### TEMPERATURE RATING

Maximum continuous working temperature 75°C  
If the water temperature exceeds 75°C, an approved tempering valve must be fitted

### PRESSURE RATING

Recommended minimum working pressure 150kPa  
Recommended maximum working pressure 500kPa  
Hot and cold water inlet pressure should be equal

### SUITABLE HOT WATER UNITS

Storage tank: Yes  
Continuous Flow: Yes  
Gravity Feed: Not suitable

### STANDARDS/LEAD FREE/REQUIREMENTS

WELS 5 star, 6L/min, T4-3739 - For water supply use only, test before concealing.

# INSTALLATION GUIDE

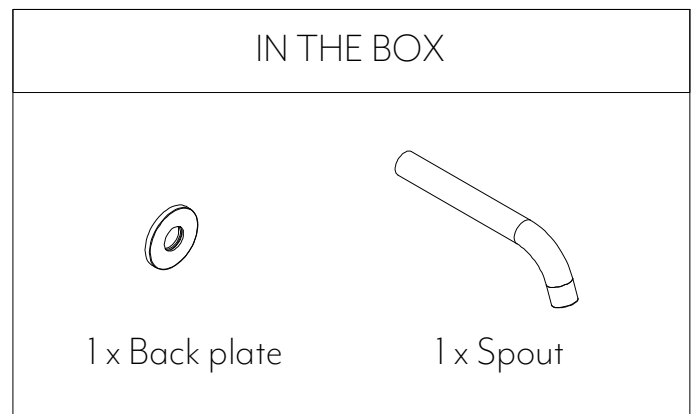
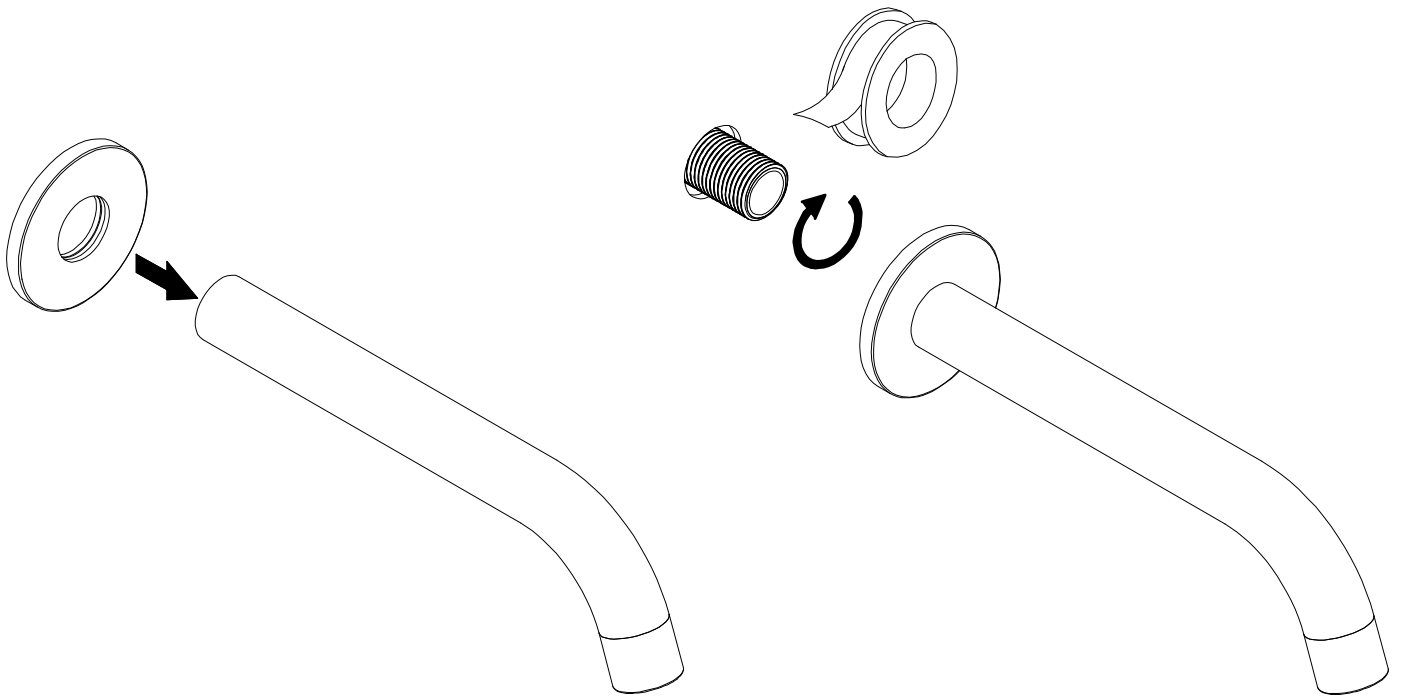
**Note:** This product must be installed by a licensed plumber. This is a general installation guide- there are many factors involved that can alter the installation method. **AU/NZ:** For installations within Australia and New Zealand, this product must be installed in compliance with AS/NZS 3500. **UK:** For installations in the United Kingdom this product must be installed in compliance with the Water Supply(Water Fittings) Regulations and Water Supply(Water Fittings) (Scotland) Byelaws. **Other:** For installations outside these countries, this product must be installed in compliance with the standards in your respective country.



- 1 Slide the back plate onto the spout, make sure that the rubber is firmly in place to protect the spout and stop the back plate from moving around.

- 2 Apply teflon thread tape to the breech point, twist the spout on and hand tighten. Remove aerator from the spout and flush. Reinstall aerator. Test and commission.

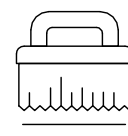
**Note:** Please tighten aerator so that it cannot be removed by hand.



Regularly clean with mild liquid detergent or soap and water



DO NOT use cream cleaners or bleach. These substances are abrasive



DO NOT use cleaning pads with abrasive surfaces as this may scratch the material