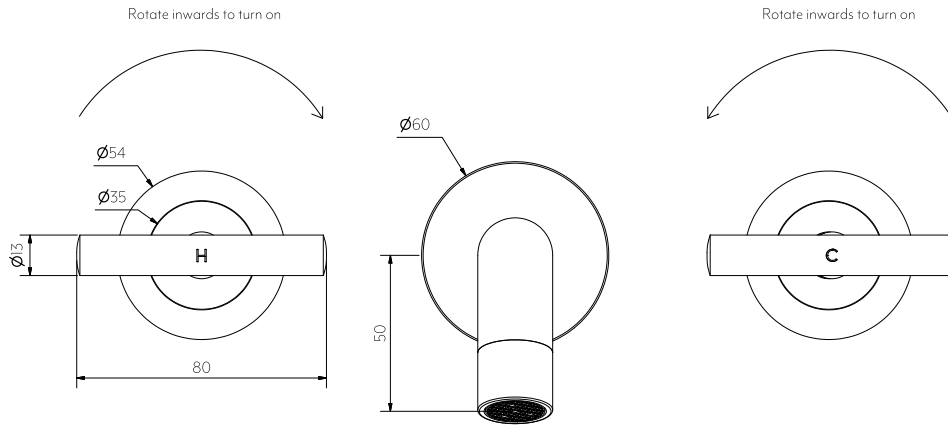


Side View



Front View

Note: Dimensions are nominal measurements only

SPECIFICATIONS

MATERIAL

Solid Brass

TEMPERATURE RATING

Maximum continuous working temperature 75°C
If the water temperature exceeds 75°C, an approved tempering valve must be fitted

PRESSURE RATING

Recommended minimum working pressure 0.2 Bar
Recommended maximum working pressure 5 Bar
Hot and cold water inlet pressure should be equal

SUITABLE HOT WATER UNITS

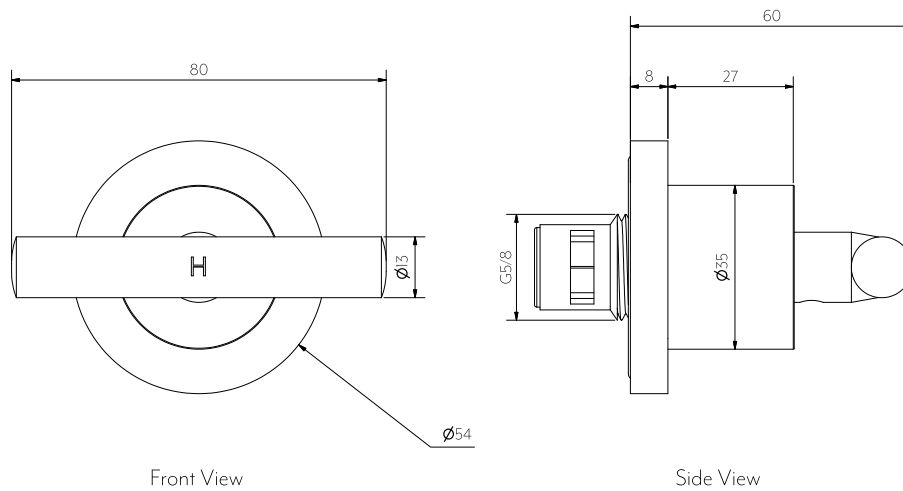
Storage tank: Yes
Continuous Flow: Yes
Gravity Feed: Suitable

WATER EFFICIENCY

Flow Rate 5.5L/min

PACKAGING

Box 1 of 3 In-Wall Assembly Taps - Spindles (Rough-In)
Box 2 of 3 Barre Assembly Handle Kit (Fit-Off)
Box 3 of 3 Wall Mounted Spout (Fit-Off)



Note: Dimensions are nominal measurements only

SPECIFICATIONS

RECOMMENDED USE

Domestic

MATERIAL

Solid Brass

TEMPERATURE RATING

Maximum continuous working temperature 75°C
If the water temperature exceeds 75°C, an approved tempering valve must be fitted

PRESSURE RATING

Recommended minimum working pressure 0.2 Bar
Recommended maximum working pressure 5 Bar
Hot and cold water inlet pressure should be equal

SUITABLE HOT WATER UNITS

Storage tank: Yes
Continuous Flow: Yes
Gravity Feed: Suitable

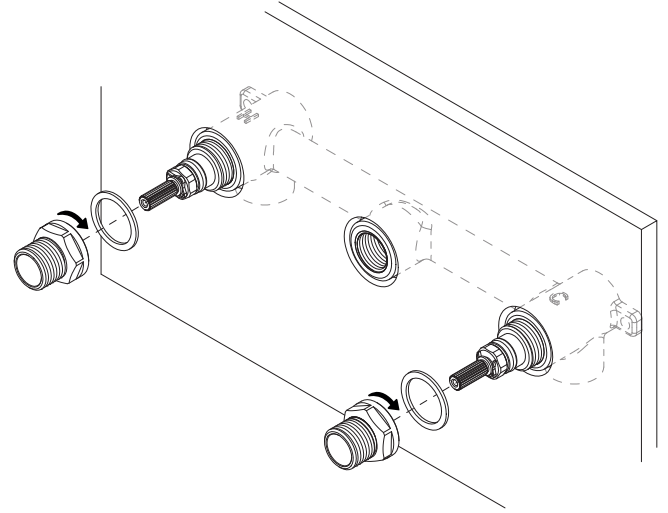
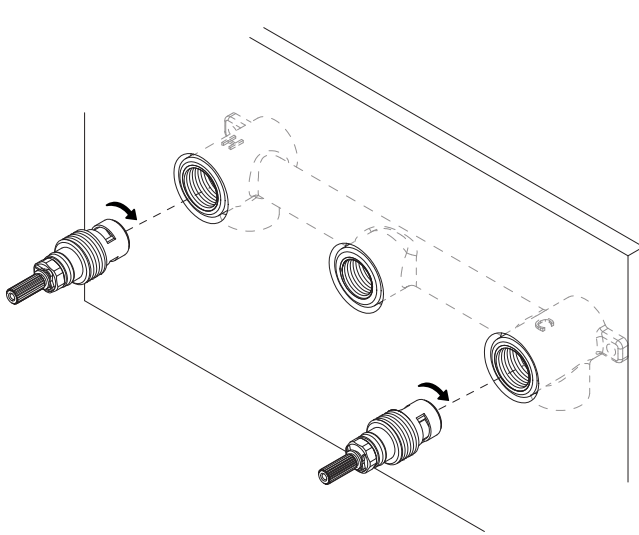
INSTALLATION GUIDE

Note: This product must be installed by a licensed plumber. This is a general installation guide - there are many factors involved that can alter the installation method. **AU/NZ:** For installations within Australia and New Zealand, this product must be installed in compliance with AS/NZS 3500. **UK:** For installations in the United Kingdom this product must be installed in compliance with the Water Supply (Water Fittings) Regulations and Water Supply (Water Fittings) (Scotland) Byelaws. **Other:** For installations outside these countries, this product must be installed in compliance with the standards in your respective country.



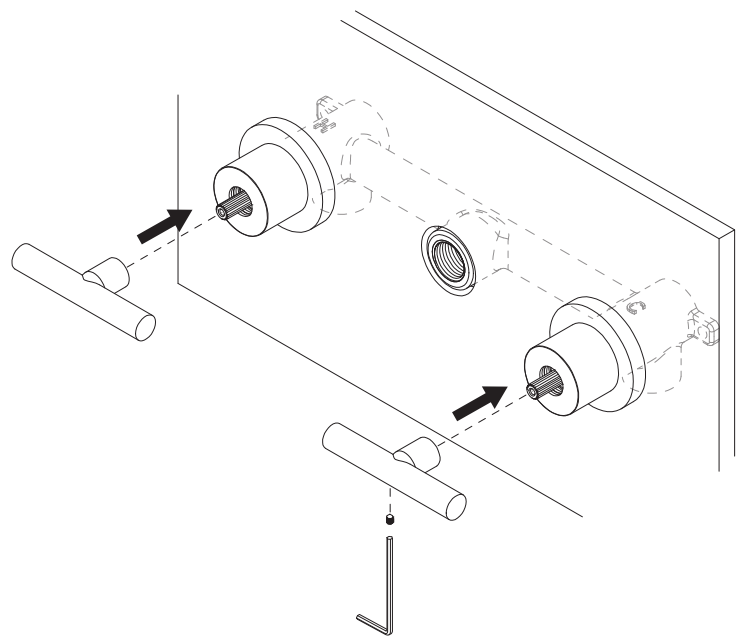
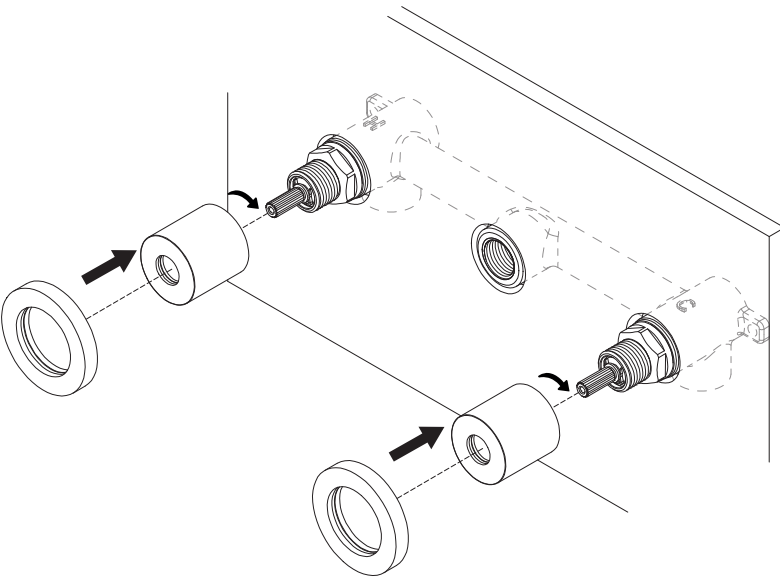
New Build - Install breach in desired position (please refer to additional install information regarding breach set backs).

Retrofitting Existing - Remove existing tapware & reseal body seats until shiny and smooth.



1 Remove locking nut from spindle. Screw spindle into breach and hand tighten until rear of spindle meets the body seat, be sure not to over tighten. If necessary apply more pressure lightly with spanner.

2 Fit the fibre washer over the spindle. Screw on the locking nut and tighten with spanner. **TEST AND CHECK FOR LEAKS.**



3 Install the handle body onto the locking nut, twisting by hand until tightened. Slide back plate over handle body until firmly pressed against finished wall surface.

4 Install tap handle onto spindle and tighten in place using grub screw and allen key.



Regularly clean with mild liquid detergent or soap and water.



DO NOT use cream cleaners or bleach. These substances are abrasive.



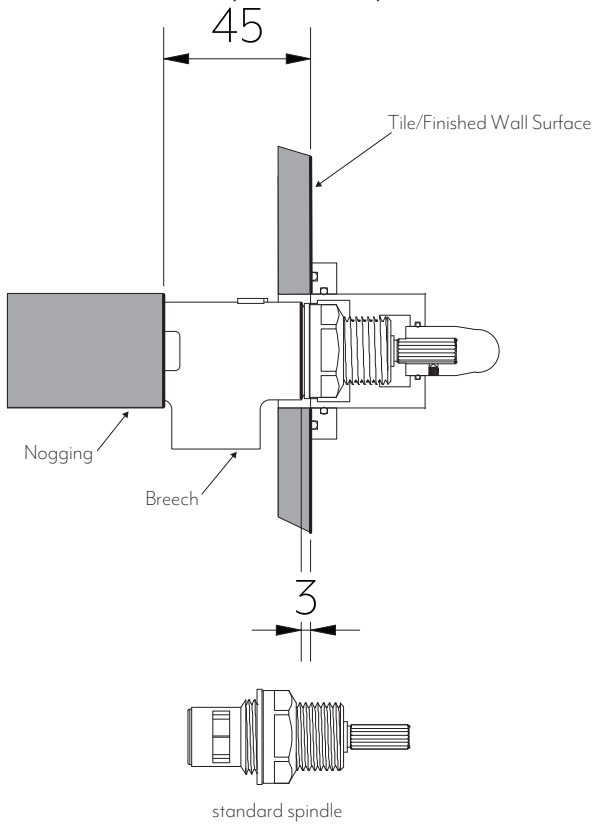
DO NOT use cleaning pads with abrasive surfaces as this may scratch the material.

SET BACK GUIDE

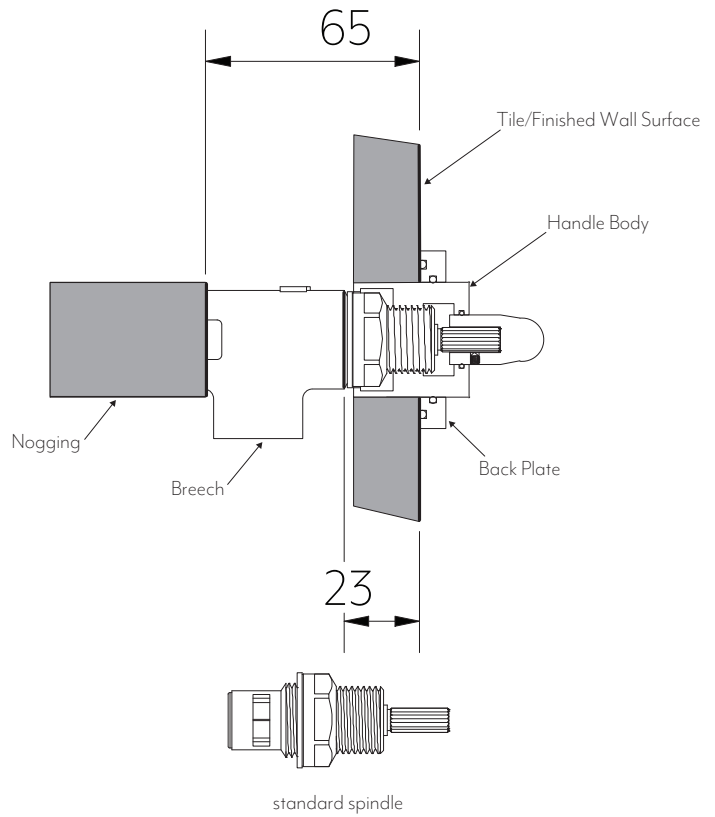
This product must be installed by a licensed plumber.



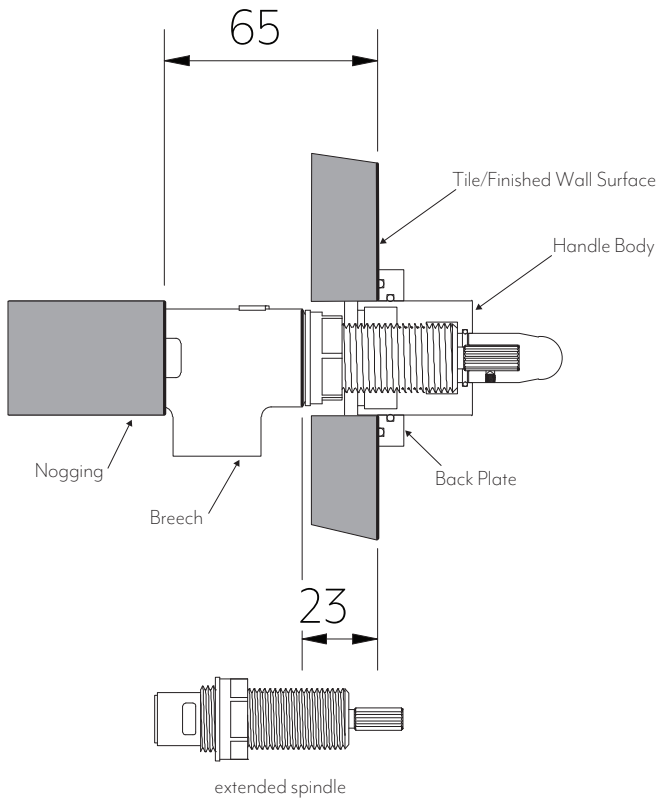
The set back of the wall breach and distance of the nogging to tile or finished wall surface will dictate the necessary extension parts that will be required for install.



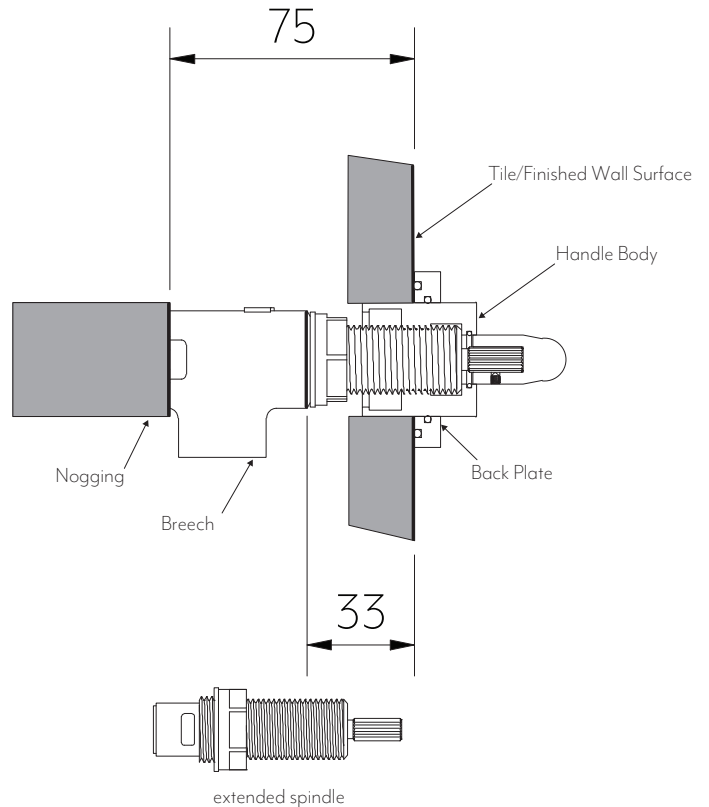
Minimum distance between nogging and finished wall surface is 45mm (or 3mm from in-wall breach to finished wall surface).



In the instance of a thicker finished wall surface, to achieve a distance of 45mm to 65mm from nogging to finished wall surface a standard spindle can continue to be used, however spacing from handle body to back plate will be decreased.



For installations when distance between nogging and finished wall surface is 65mm, and a larger set back from handle body to back plate is preferred, an extended spindle can be used (available for additional purchase).



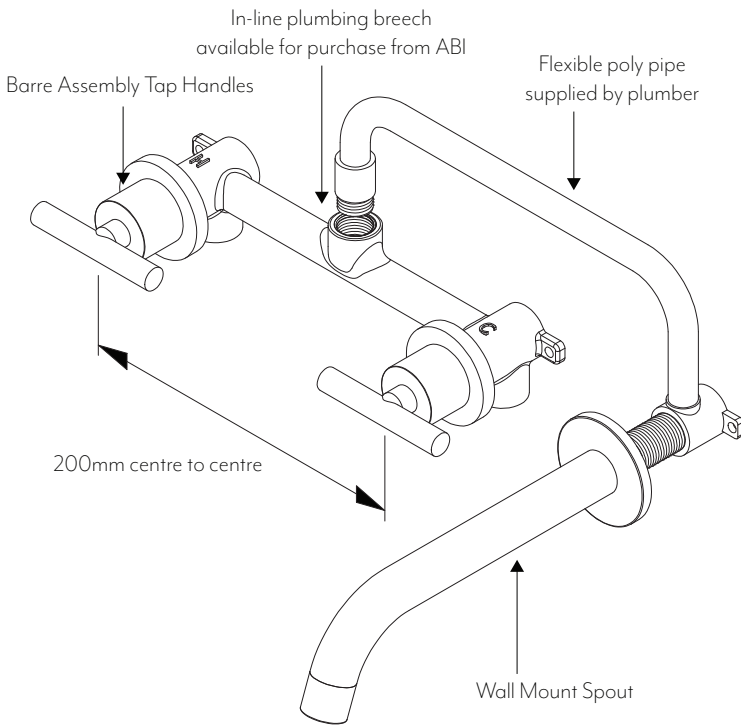
For distances 65mm up to 75mm between nogging and finished wall surface, an extended spindle is required. Set back from handle body to backplate will be decreased as wall cavity increases.

ASSEMBLY SETUP GUIDE

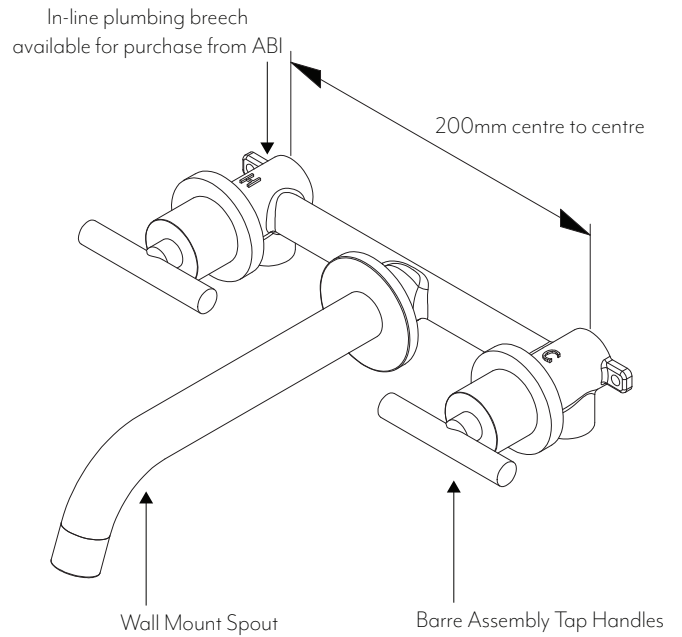
Note: This product must be installed by a licensed plumber. This is a general installation guide - there are many factors involved that can alter the installation method. **AU/NZ:** For installations within Australia and New Zealand, this product must be installed in compliance with AS/NZS 3500. **UK:** For installations in the United Kingdom this product must be installed in compliance with the Water Supply (Water Fittings) Regulations and Water Supply (Water Fittings) (Scotland) Byelaws. **Other:** For installations outside these countries, this product must be installed in compliance with the standards in your respective country.



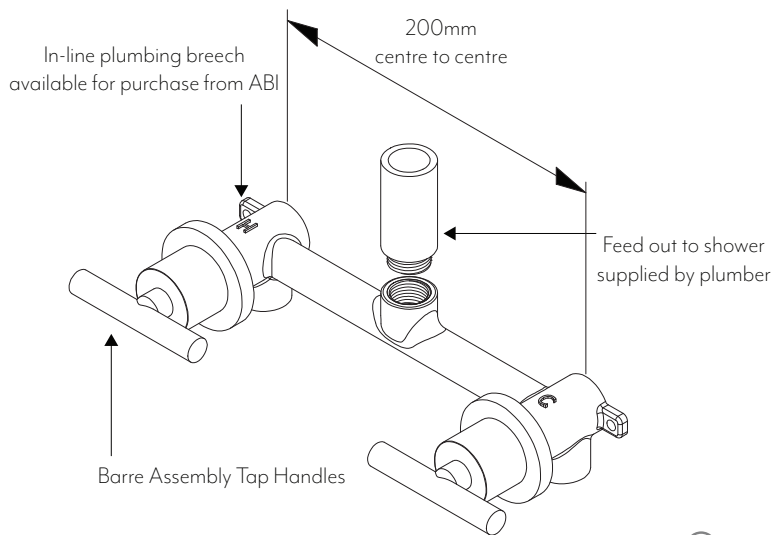
**Example One:
Off set basin mixer/bath spout setup**



**Example Two:
Centred basin mixer/bath spout setup**

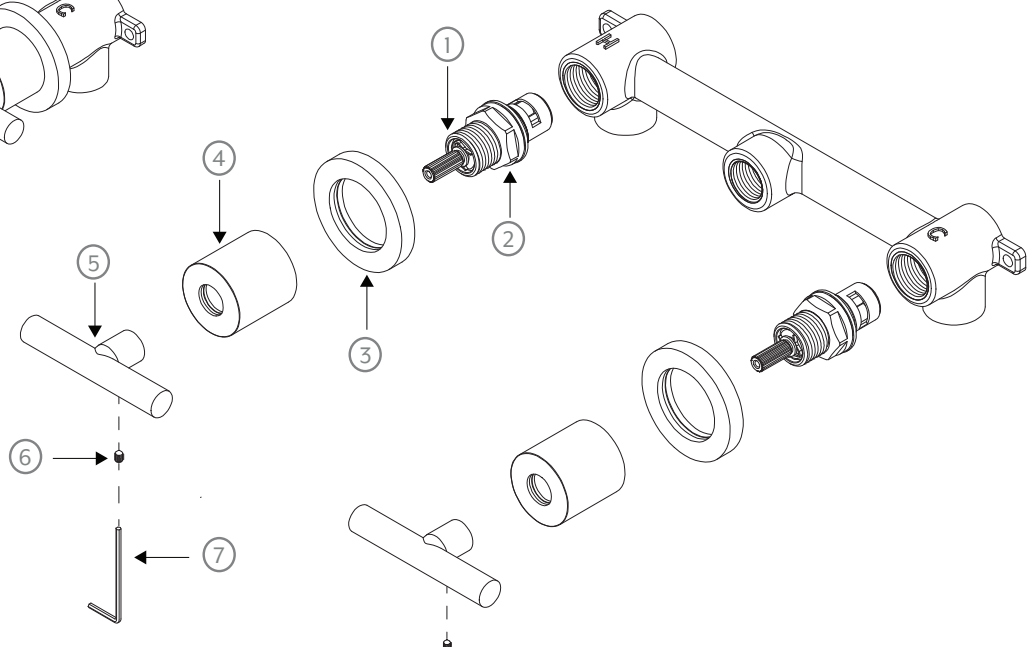


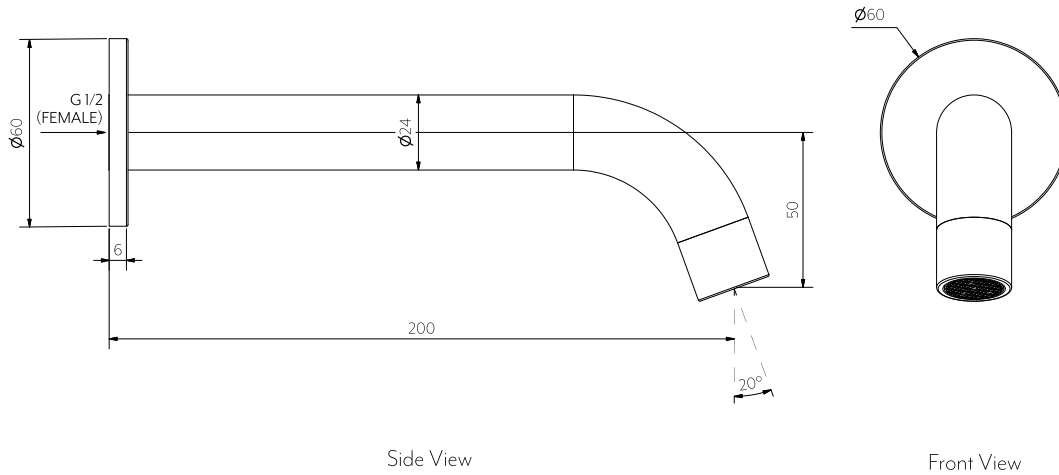
**Example Three:
Shower Setup**



WHAT'S IN THE BOX

1. Spindle x 2
2. Spindle Locking Nut x 2
3. Back plate x 2
4. Handle Body x 2
5. Handle x 2
6. Grub Screw x 2
7. Allen Key x 1





Note: Dimensions are nominal measurements only

SPECIFICATIONS

RECOMMENDED USE

Domestic

MATERIAL

Solid Brass

TEMPERATURE RATING

Maximum continuous working temperature 75°C
If the water temperature exceeds 75°C , an approved tempering valve must be fitted

PRESSURE RATING

Recommended minimum working pressure 0.2 Bar
Recommended maximum working pressure 5 Bar
Hot and cold water inlet pressure should be equal

SUITABLE HOT WATER UNITS

Storage tank: Yes
Continuous Flow: Yes
Gravity Feed: Suitable

WATER EFFICIENCY

Flow Rate 5.5L/min

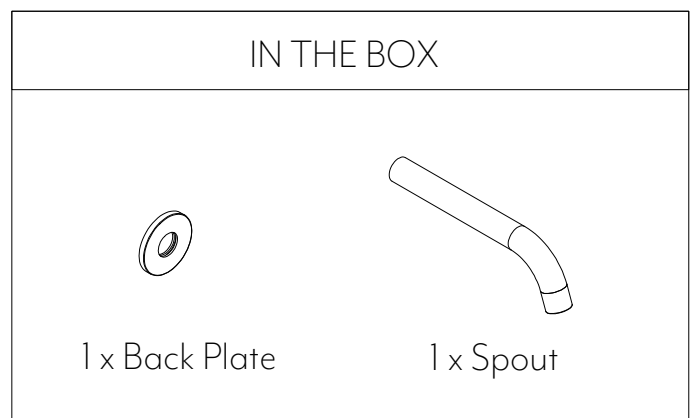
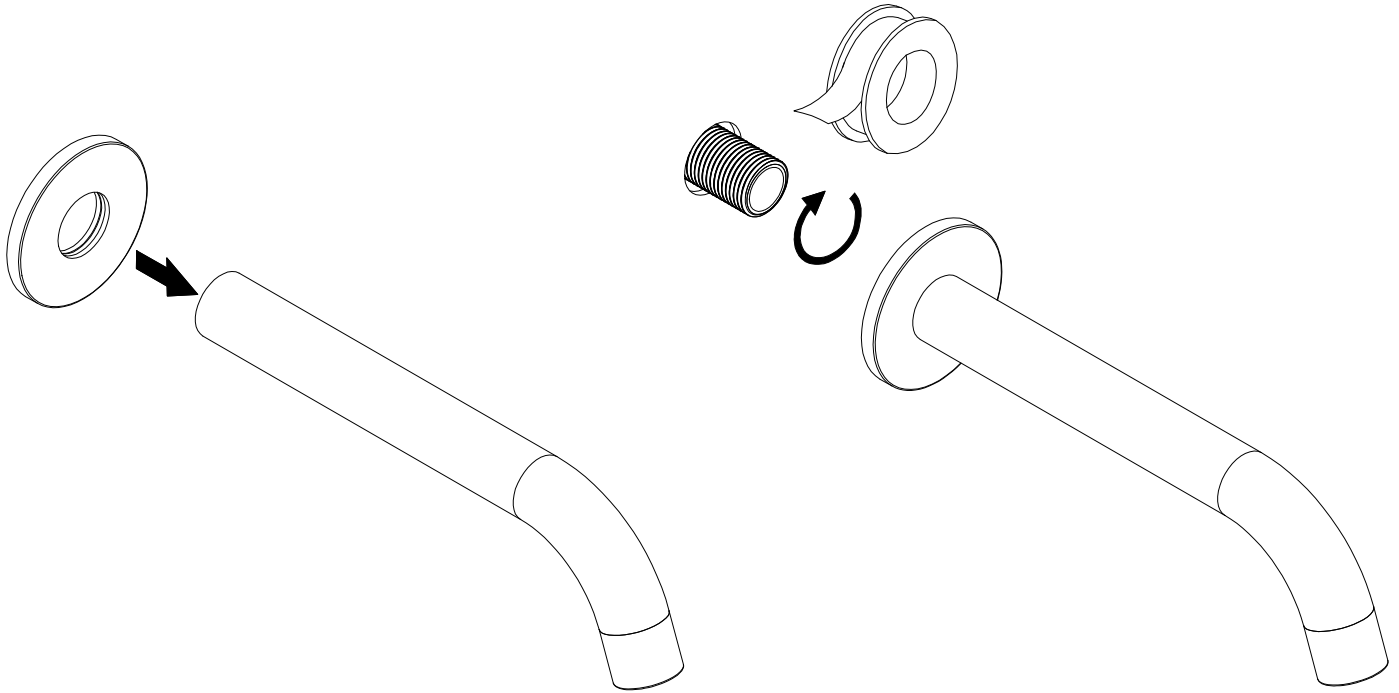
INSTALLATION GUIDE



Note: This product must be installed by a licensed plumber. This is a general installation guide - there are many factors involved that can alter the installation method. **AU/NZ:** For installations within Australia and New Zealand, this product must be installed in compliance with AS/NZS 3500. **UK:** For installations in the United Kingdom this product must be installed in compliance with the Water Supply (Water Fittings) Regulations and Water Supply (Water Fittings) (Scotland) Byelaws. **Other:** For installations outside these countries, this product must be installed in compliance with the standards in your respective country.

- ① Slide the back plate onto the spout, make sure that the rubber is firmly in place to protect the spout and stop the back plate from moving around.

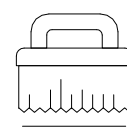
- ② Apply teflon thread tape to the breach point, twist the spout on and hand tighten.



Regularly clean with mild liquid detergent or soap and water



DO NOT use cream cleaners or bleach. These substances are abrasive



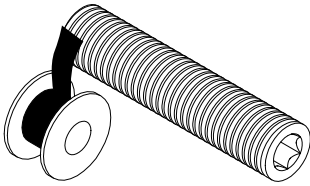
DO NOT use cleaning pads with abrasive surfaces as this may scratch the material

1/2 INCH MALE ADAPTOR INSTALLATION GUIDE

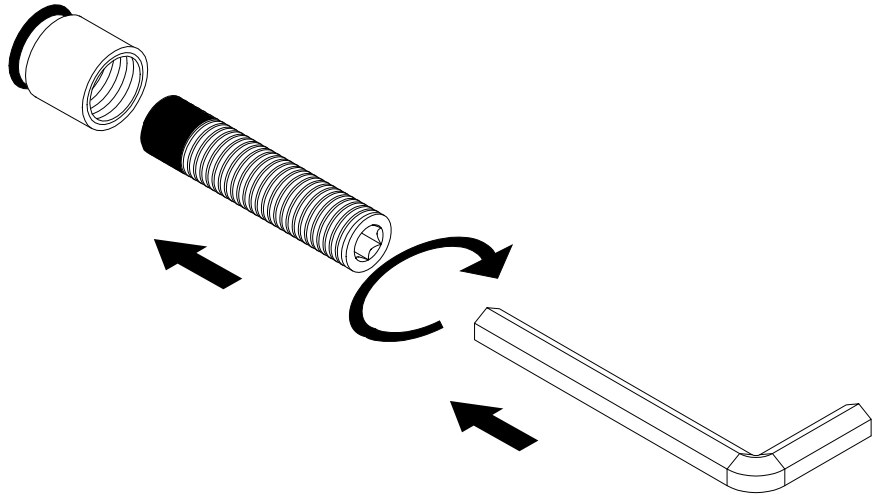


Note: This product must be installed by a licensed tradesperson.
This is a general installation guide - there are many factors that are involved that can alter the installation method.

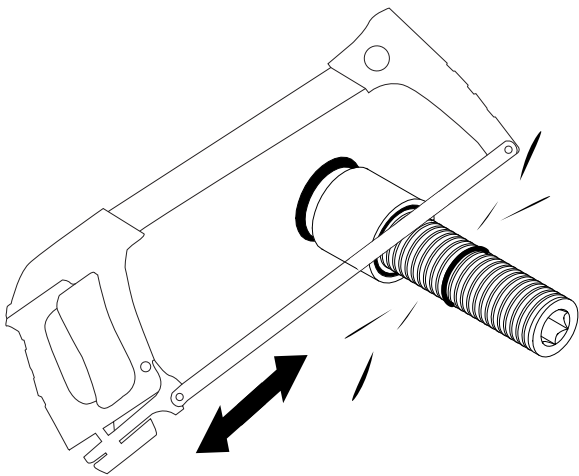
① Apply teflon tape to 1/2 inch male adaptor.



② Fit 1/2 inch male adaptor to female BP and tighten with a 12 mm metric Allan key.

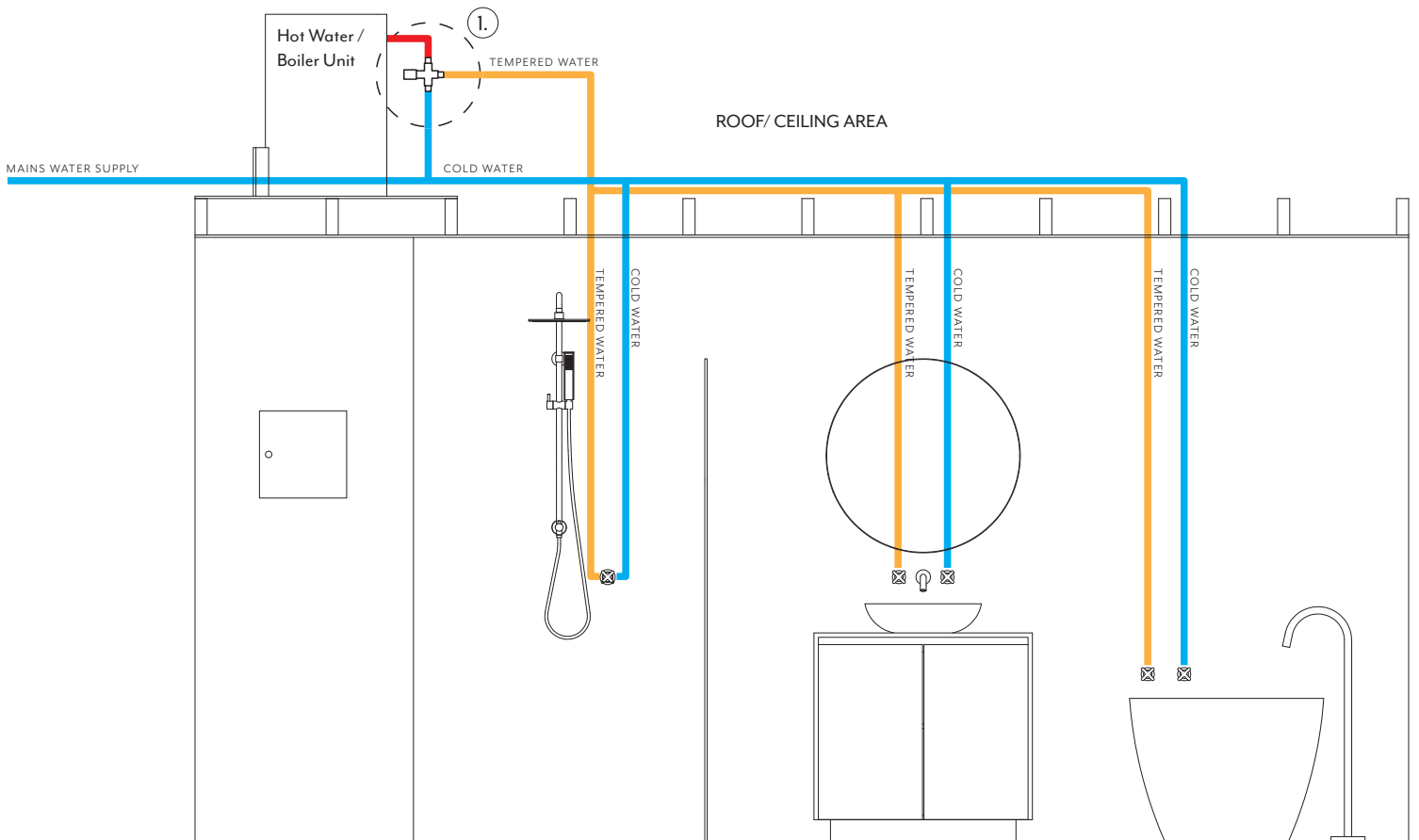


③ Cut 1/2 inch male adaptor to suit wall thickness and product.



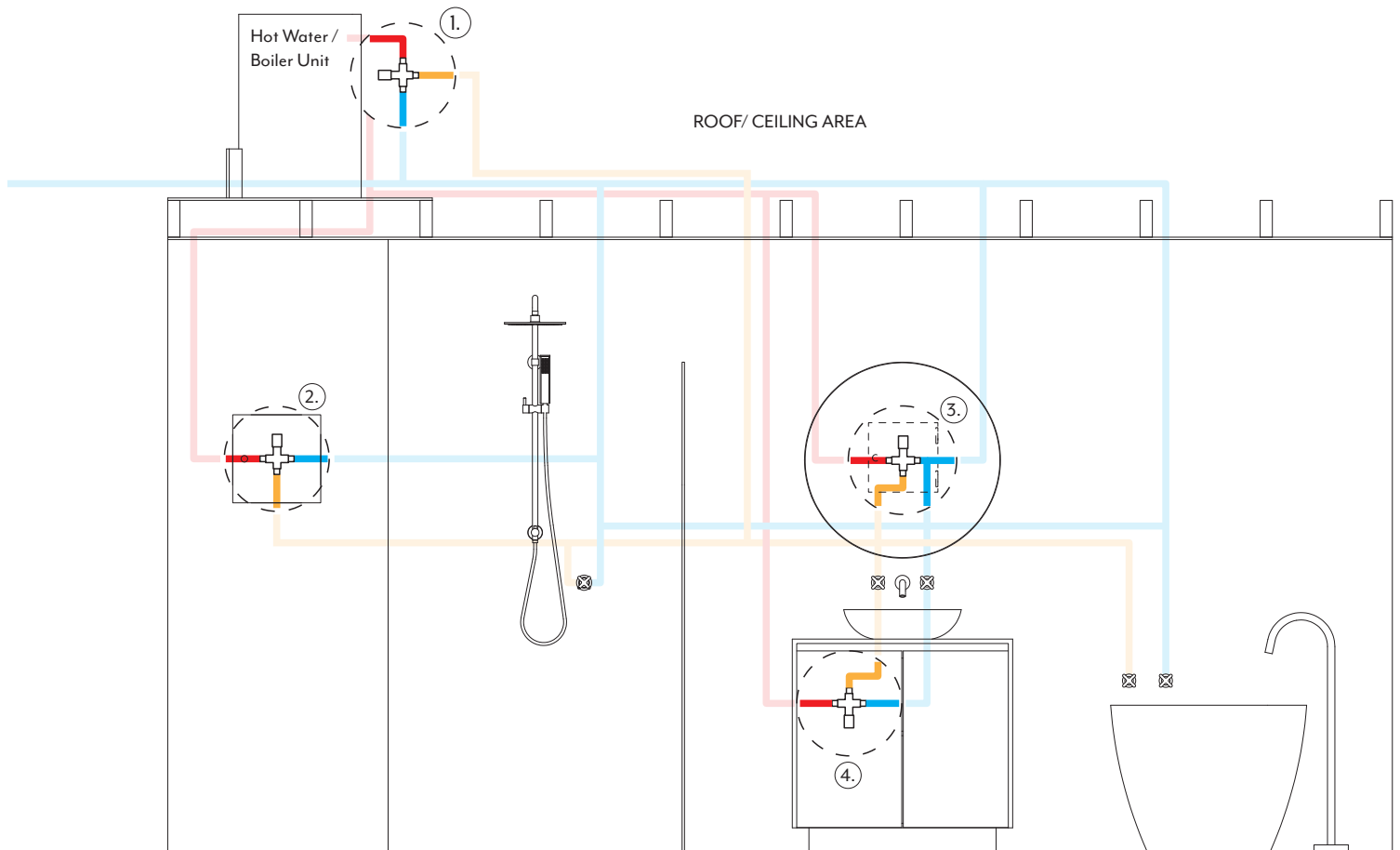
A **TMV** [Thermostatic Mixing Valve] is required in homes that do not have a TMV fitted, If the hot water coming out your tap is more than **50°C** you will need to adjust your TMV.

1. We recommend placing your **TMV** directly after your hot water/ boiler unit. Consult with a **licensed plumber** to discuss the best position for your needs.



— TEMPERED WATER
 — COLD WATER
 — SCOLDING WATER

- 1. Directly after your hot water unit
- 3. Inside a service panel behind removable mirror
- 2. Inside a service panel
- 4. Inside the bathroom vanity unit



— TEMPERED WATER
 — COLD WATER
 — SCOLDING WATER