

Front View

Note: Dimensions are nominal measurements only

SPECIFICATIONS

RECOMMENDED USE

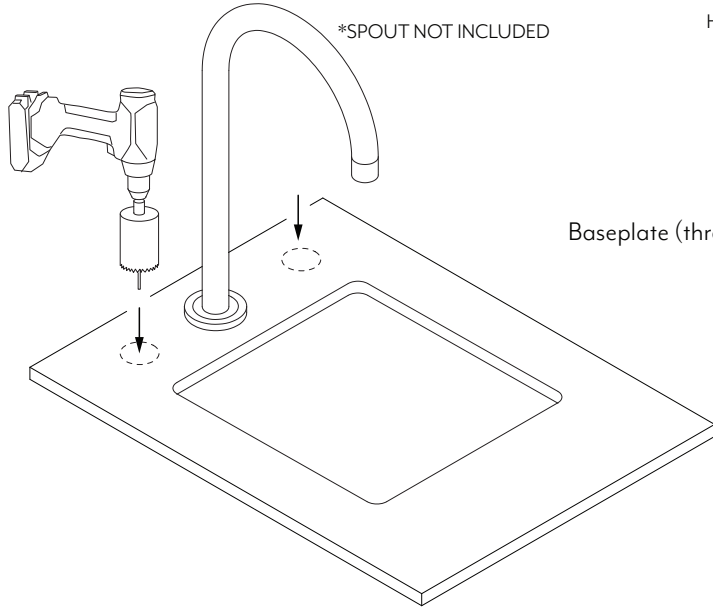
Domestic

MATERIAL

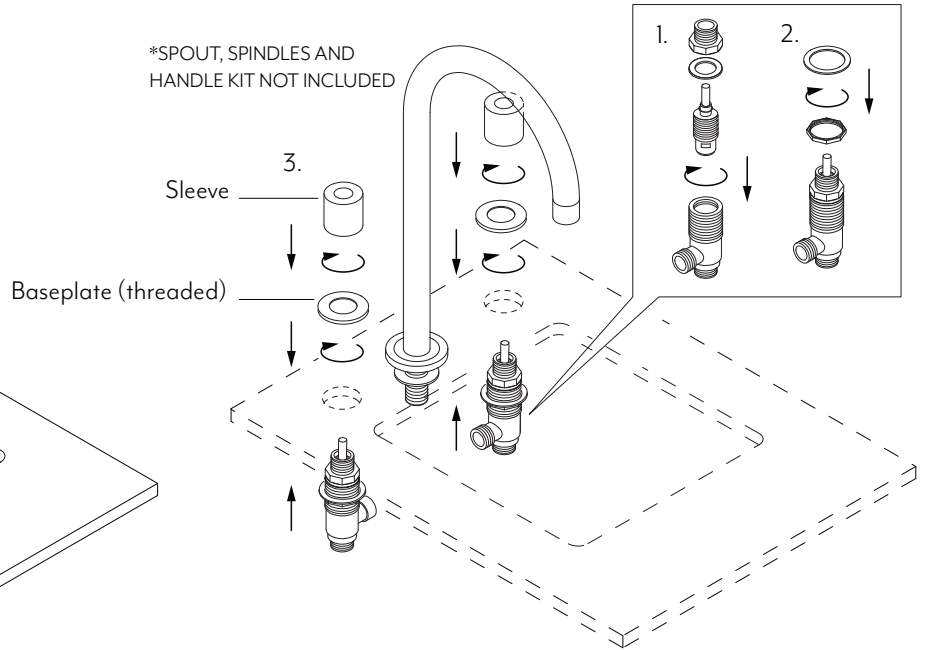
Solid Brass

Please note there are 2 methods of installation, the first is with the compression tee fitting, this method allows you to place the taps in any position. The second is with the copper tee fitting, this method is best when taps are to be close to the spout.

- 1** Cut holes using a **32mm** hole saw. If retrofitting product can only be fitted into an existing 32mm hole.
Note: If cutting a stone benchtop it will need to be cut in a controlled environment by a licensed tradesperson as per OH&S regulations.

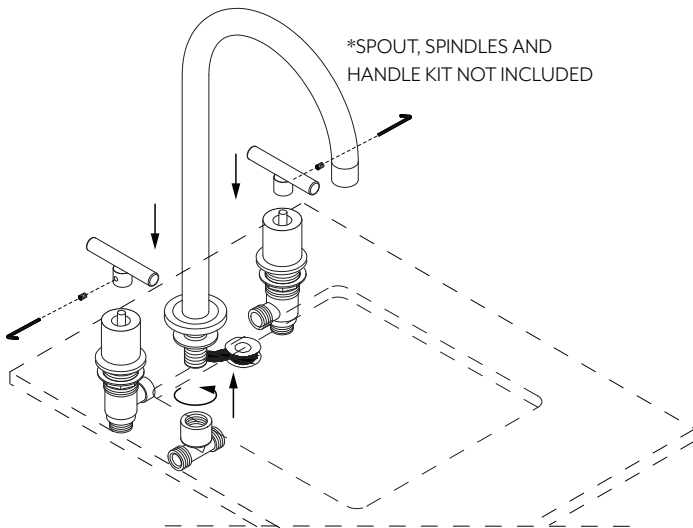


- *For installation with the compression tee fitting.**
 Mark out desired location of taps in relation to spout.
Note: Spout not included. *ABI* recommends using *ABI's* Gooseneck Hob Spout featured in this diagram.
- 2** 1. Screw spindle into basin body.
 2. Screw brass nut and plastic washer on to basin body.
 3. Push spindles through holes and secure to the bench top using the threaded baseplates, screw the sleeves on.

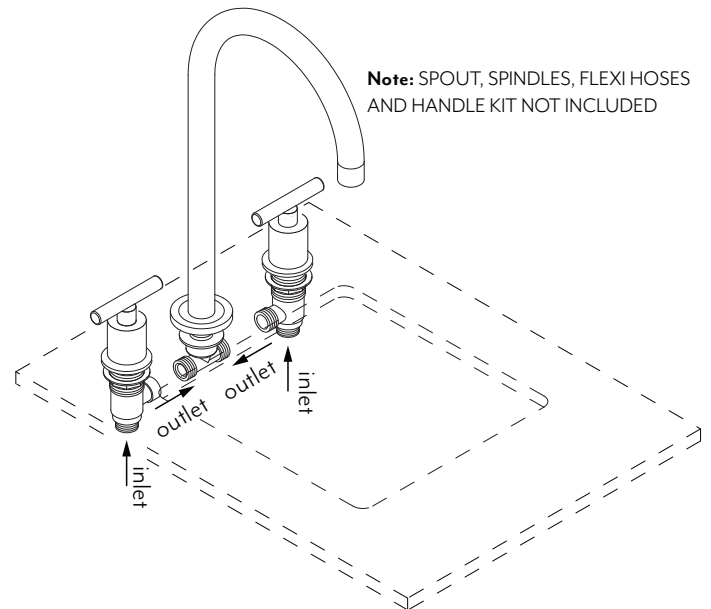


- 3** Fix handles by tightening up grub screws using allen key provided.

Screw compression tee to spout thread.
Note: Apply plumbing tape to spout thread.



- 4** Connect pipework to and from spout and taps.



IN THE BOX			
	basin body x2		compression tee (M - F - M)
	plastic washer x2		baseplates x2
	brass nut x2		copper tee