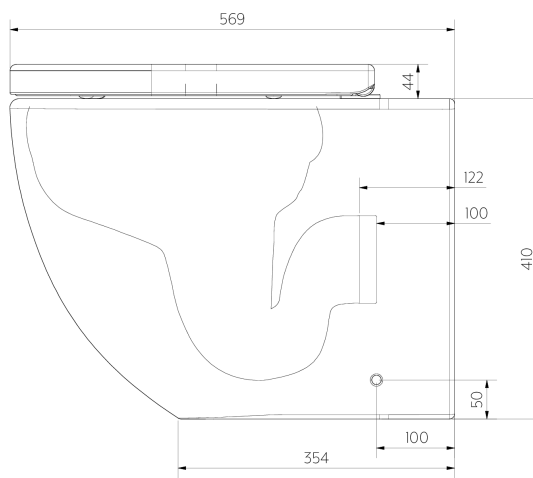
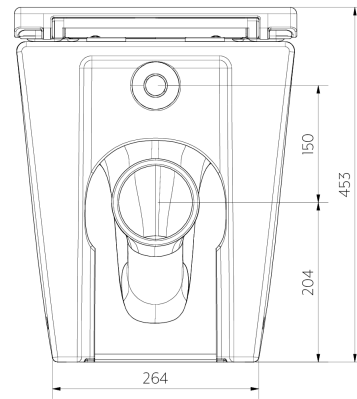


Top View



Side View



Rear View

Note: Dimensions are nominal measurements only

SPECIFICATIONS

RECOMMENDED USE

Domestic

MATERIAL

Pan: Glazed Porcelain

Seat: Soft Close - Hardened Polypropylene (PP)

TEMPERATURE RATING

Maximum continuous working temperature 75°C

If the water temperature exceeds 75°C, an approved tempering valve must be fitted

PRESSURE RATING

Recommended minimum working pressure 150kPa

Recommended maximum working pressure 500kPa

Hot and cold water inlet pressure should be equal

INSTALLATION

Wall Mounted

STANDARDS

WELS 4 Star, Half Flush 3 Litres, Full Flush 4.4 Litres

Average Flush 3.3 Litres, L07245

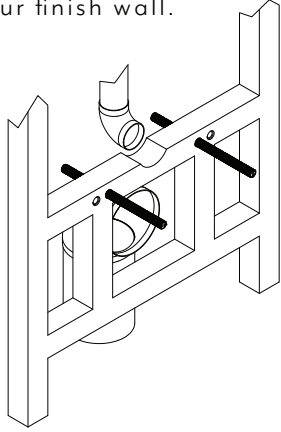
INSTALLATION GUIDE

Note: This product must be installed by a licensed plumber. This is a general installation guide - there are many factors involved that can alter the installation method. **AU/NZ:** For installations within Australia and New Zealand, this product must be installed in compliance with AS/NZS 3500. **UK:** For installations in the United Kingdom this product must be installed in compliance with the Water Supply (Water Fittings) Regulations and Water Supply (Water Fittings) (Scotland) Byelaws. **Other:** For installations outside these countries, this product must be installed in compliance with the standards in your respective country.

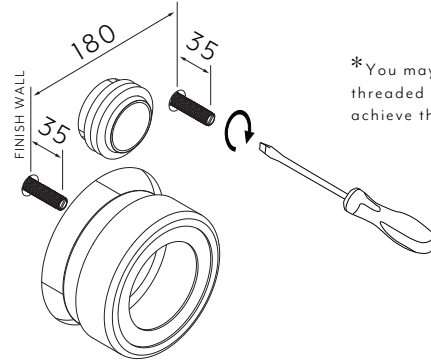


Note: For installation of the cistern, Please refer to **ABI WALL HUNG TOILET CISTERN** on the ABI website.

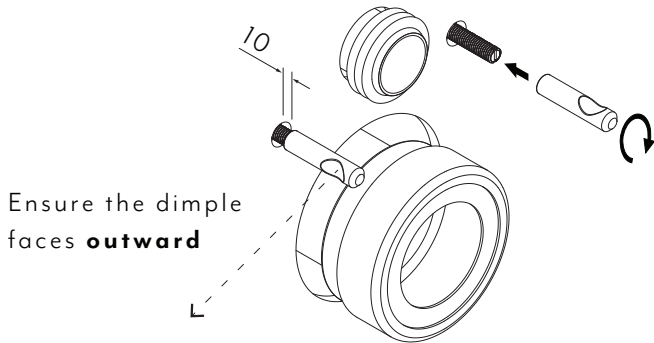
- ① At the **Rough-in Stage** ensure the threaded rods are inserted and that they will protrude sufficiently beyond your finish wall.



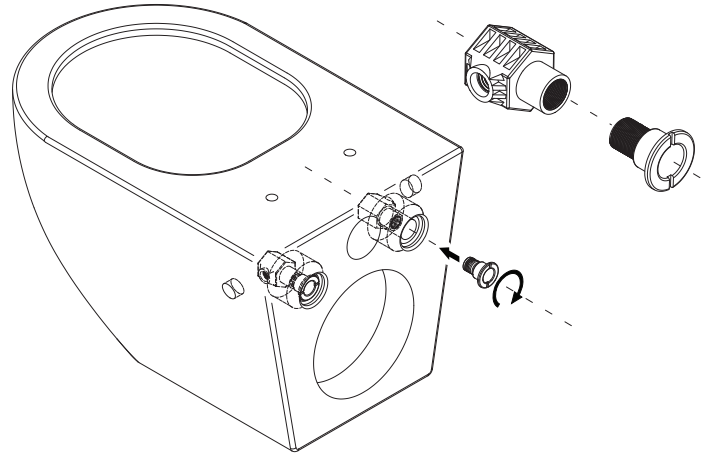
- ② At the **Fit-off Stage** after all wall finishes are applied adjust the threaded rods to **35mm** protrusion from the finish wall.*



- ③ Use multi grip pliers to hold the threaded rod and then thread the mounting lug on. Allow a **10mm** gap from finish wall.

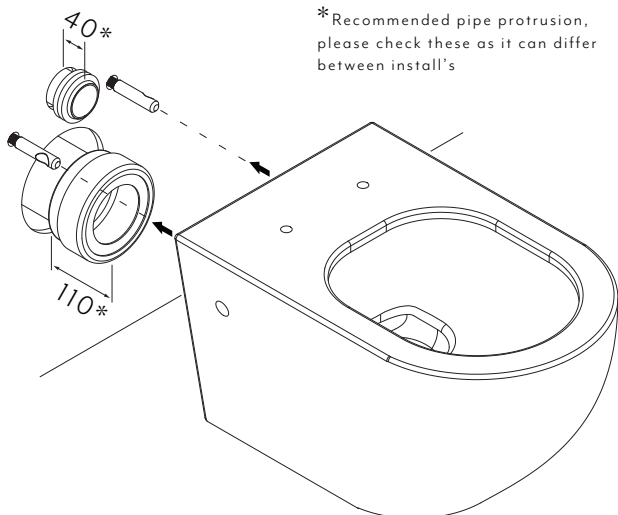


- ④ Attach the mounting plugs and nuts to the pan. Before tightening, be sure to orientate the threads outward to align with side holes.

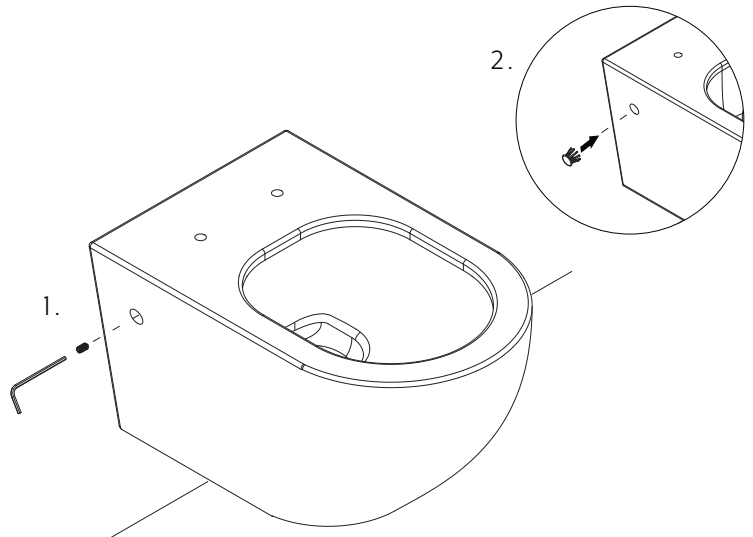


- ⑤ Attach pan to the mounting lugs.

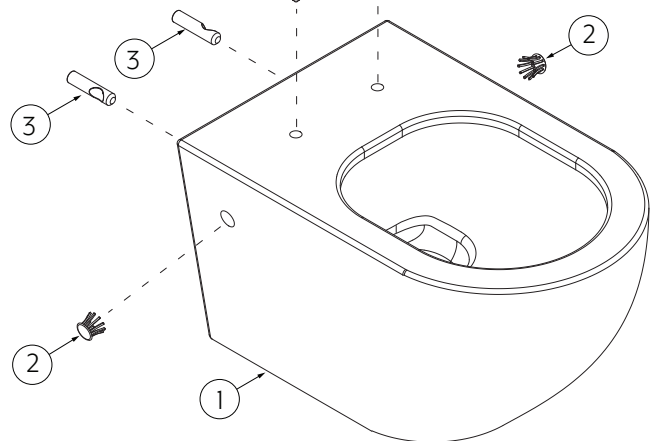
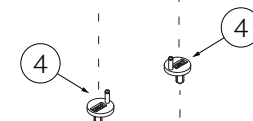
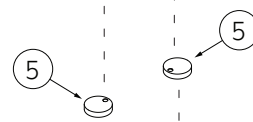
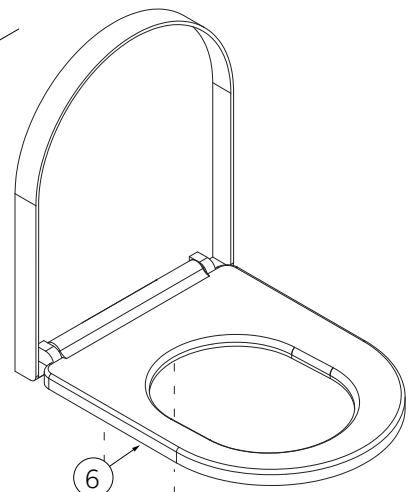
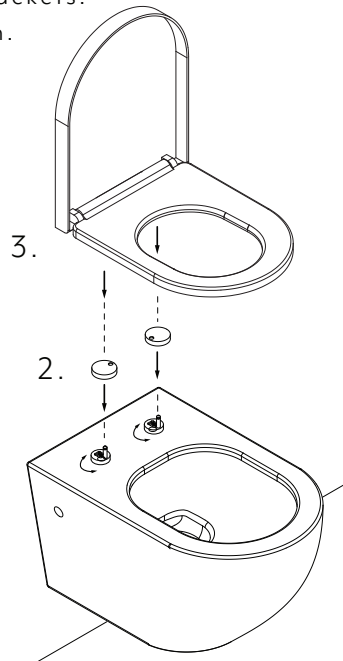
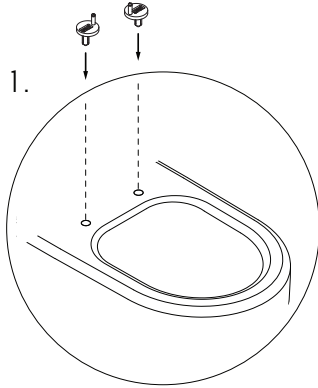
Tip: Place packaging styrofoam underneath pan whilst you work.



- ⑥ 1. Insert the set screws and fasten.
2. Place caps over the holes.

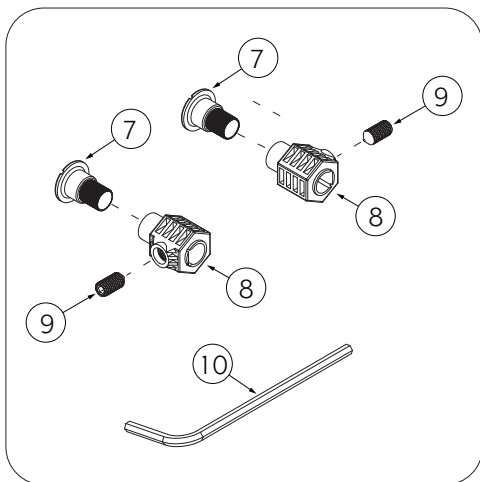


- 7
1. Use a screwdriver to attach the toilet seat brackets.
 2. Slide toilet seat clips over the brackets.
 3. Adjust brackets and push seat on.



In the Box

1. Pan
2. Caps [x2]
3. Mounting Lug [x2]
4. Toilet Seat Bracket [x2]
5. Toilet Seat Clip [x2]
6. Toilet Seat
7. Mounting Plug Nut [x2]
8. Mounting Plug [x2]
9. Set Screw [x2]
10. Allen Key 6mm



ENLARGED (not to scale)