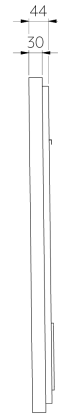
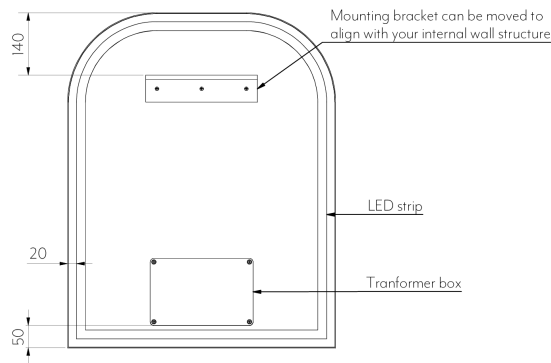


Front View



Side View



Back View

**Note:** Transformer included (240v to 12v)

**Note:** Dimensions are nominal measurements only

## SPECIFICATIONS

### RECOMMENDED USE

Domestic

### CONSTRUCTION

Solid Brass

### MOUNTING HARDWARE INCLUDED

Yes, 2x Philips head screws and plugs

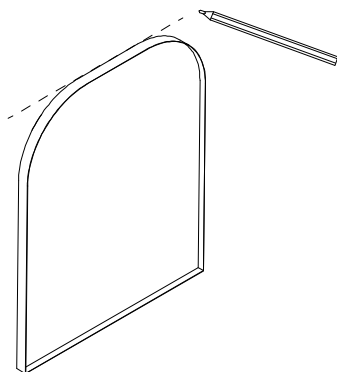
# INSTALLATION GUIDE

**Note: This product must be installed by a licensed electrician. This is a general installation guide - there are many factors that are involved that can alter the installation method. This product must be installed in your respective country and must be adhered to by your licensed tradesperson. [AS/NZS 3000:2018]**

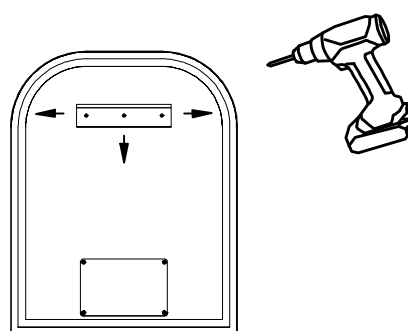


1 Choose a suitable location for your mirror.

**Note: The wall bracket must be installed into adequate wall structure.**

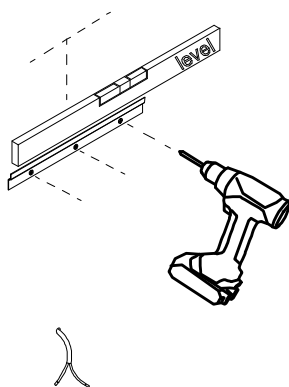


2 If necessary you can reposition the bracket to align with your wall's internal structure. Be sure to keep within the dashed bounding box.

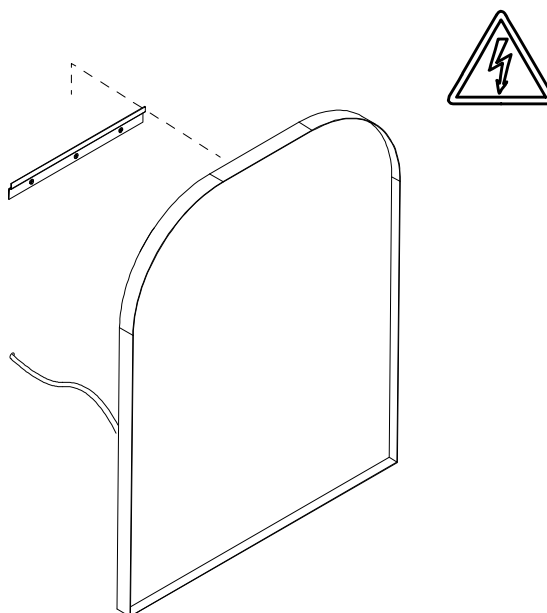


3 Fix the wall bracket to the wall. Be sure to offset the bracket from the top mark.

**Note: The supplied fixings are for timber and cement you will need to purchase alternative fixing screws if your wall is a different construction.**



4 Ensure a licensed electrician connects the wiring. Attach the mirror. Ensure the brackets interlock and that the mirror is secure. Test and commission.



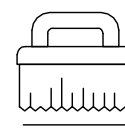
| In The Box              |                  |
|-------------------------|------------------|
| 1x Mirror               | 1x Wall Brackets |
| 3x Fixing Screws (30mm) | 3x Plugs         |



Regularly clean with mild liquid detergent or soap and water



DO NOT use cream cleaners or bleach. These substances are abrasive



DO NOT use cleaning pads with abrasive surfaces as this may scratch the material