

Note: Dimensions are nominal measurements only

SPECIFICATIONS

RECOMMENDED USE

Domestic

MATERIAL

Pan: Glazed Porcelain
Seat: Hardened Polypropylene (PP)

INSTALLATION

Floor Mounted

SET-IN

150-300 *see next page for details

TEMPERATURE RATING

Maximum continuous working temperature 75°C
If the water temperature exceeds 75°C, an approved tempering valve must be fitted

STANDARDS

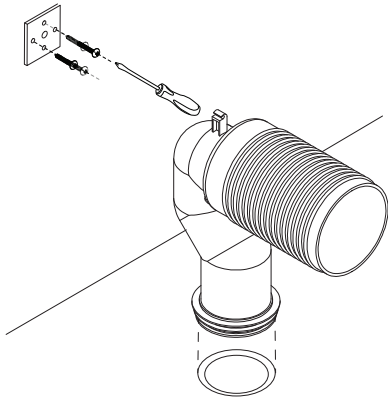
WELS 4 star, Average Flush 3.5L, Half Flush 3.0L, Full Flush 4.5L, L47357

INSTALLATION GUIDE

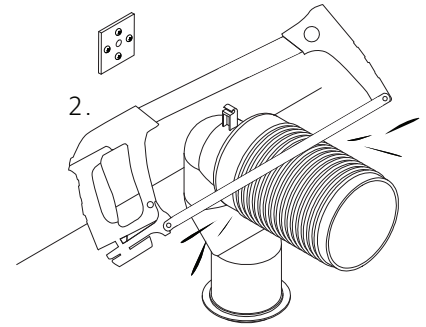
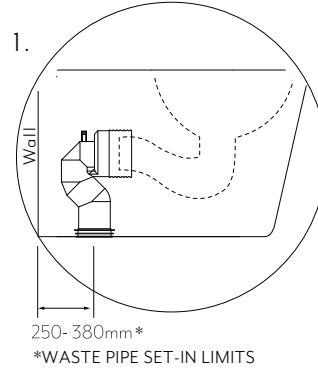
Note: This product must be installed by a licensed tradesperson. This is a general installation guide - there are many factors that are involved that can alter the installation method.



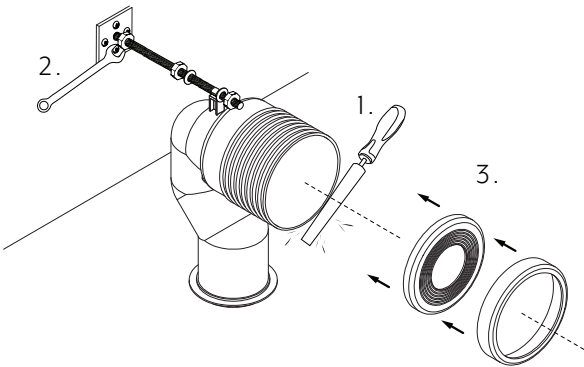
1. Align S trap adaptor and fix wall bracket
Note: Use appropriate fixings according to wall finish.



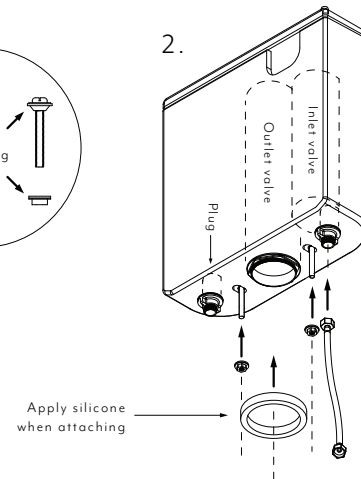
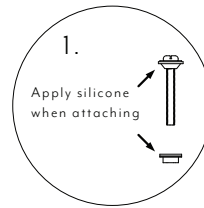
2. 1. Measure from the wall to waste pipe end *150 - 300mm range.
 2. Use a saw to cut the pipe.



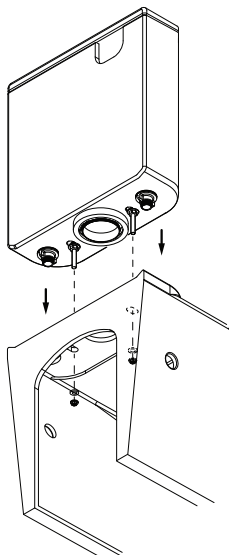
3. 1. File edges of S trap adaptor.
 2. Using a spanner fasten threaded rod to the wall plate and the S trap.
 3. Place pan collar onto S trap adaptor.



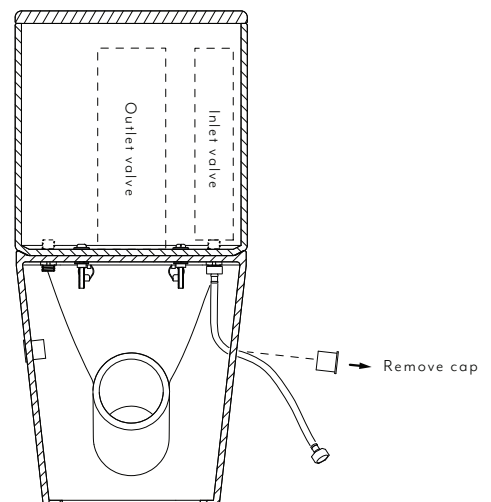
4. 1. Apply silicone to the bolts and washers.
 2. Attach the bolts, rubber seal and flexi hose



5. Align and bolt the cistern to the pan.

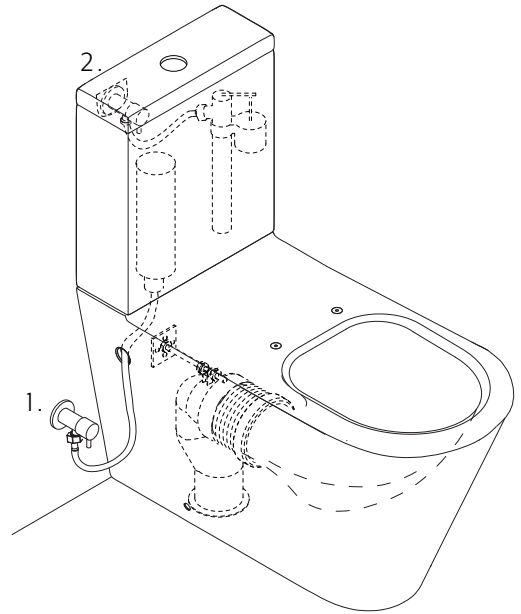
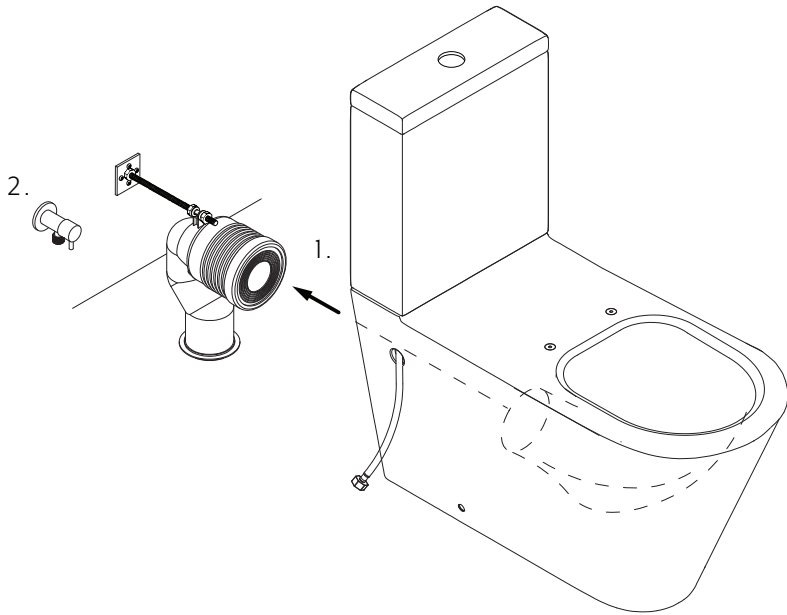


6. Remove cap and push flexi hose through the side of pan.



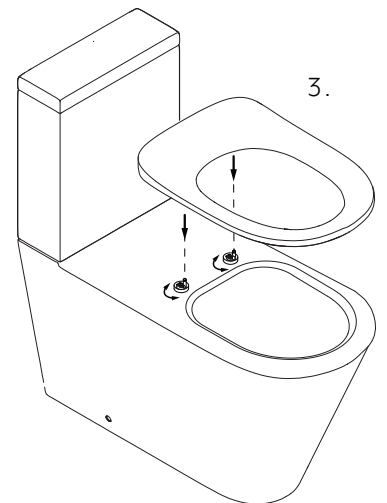
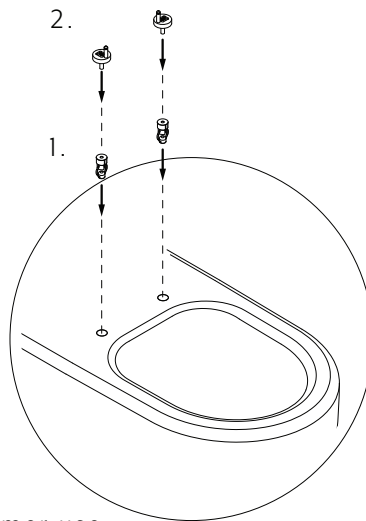
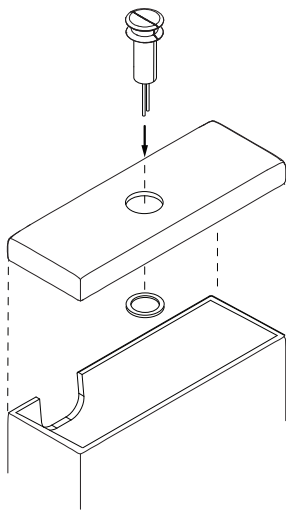
7 Push toilet back, ensure waste pipe aligns.

8 Connect flexi hose to wall outlet.
(Select options 1 or 2).
Test and flush for leaks.

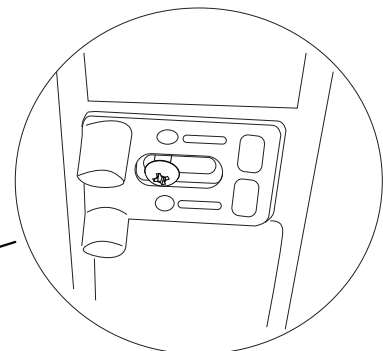
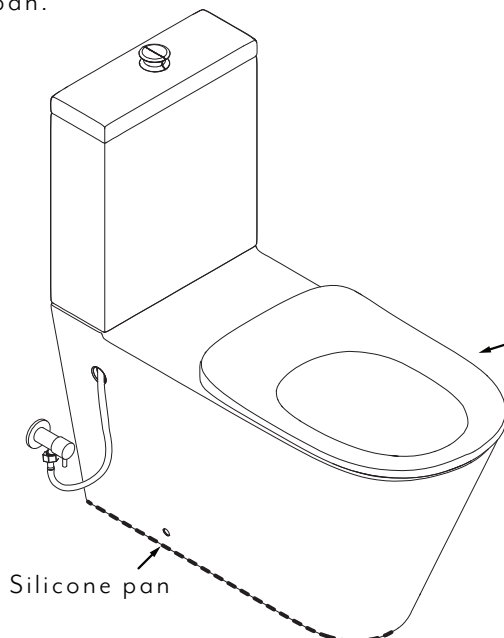


9 Attach flush button to cistern lid.

10 1. Push expansion plugs into pan holes.
2. Use a screwdriver to attach hinges.
3. Adjust hinges and push seat on



11 1. Always test and commission before customer use.
2. Silicone pan.



Please note:

If seat and pan requires realignment, lift lid, remove cap and loosen screw to slide and adjust tightness to pan

Parts list

- 1. Pan
- 2. Foam washer
- 3. Cistern
- 4. Outlet valve
- 5. Flexible hose
- 6. Inlet valve
- 7. Cistern lid
- 8. Flush buttons
- 9. Pan Bolt set [x2]
- 10. Expansion plug [x2]
- 11. Hinges [x2]
- 12. Screws [x2]
- 13. Seat

