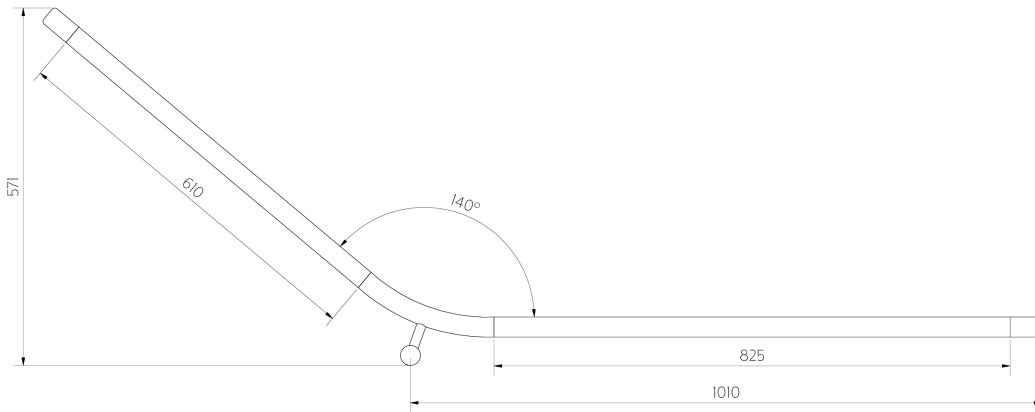


Top View



Front View

Note: Dimensions are nominal measurements only

SPECIFICATIONS

RECOMMENDED USE

Domestic/Commercial

MATERIAL

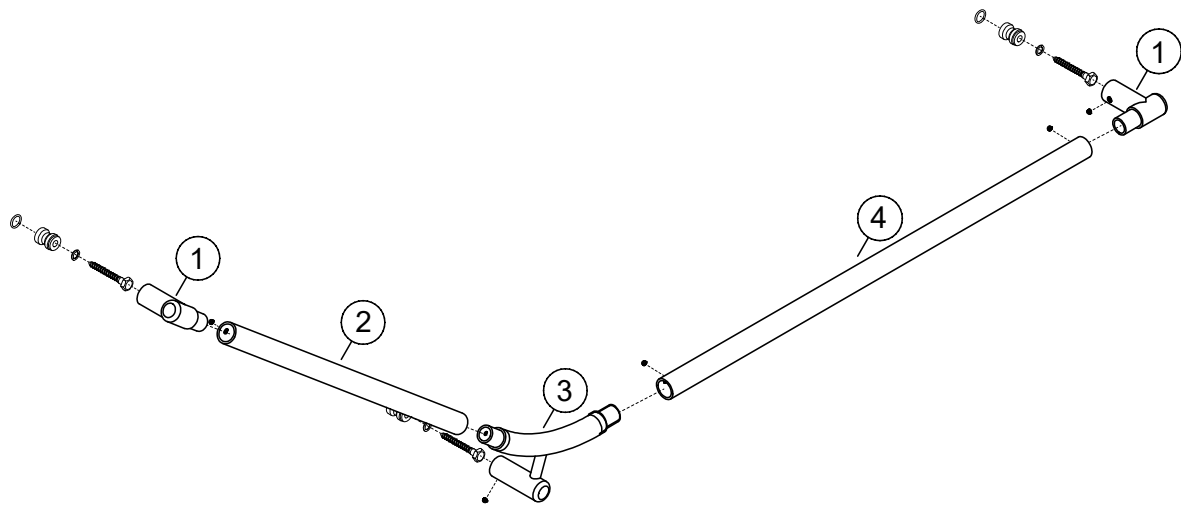
316 Stainless Steel

MOUNTING HARDWARE INCLUDED

Yes, M10x75mm coach screws

STANDARDS

AS1428.1



**140° Accessible Grab Rail Kit
(numbered components)**

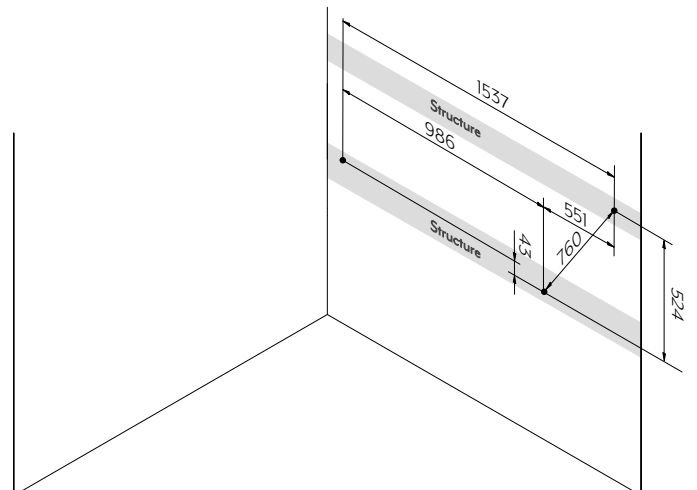
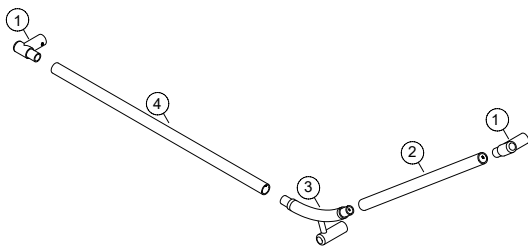
- ① End Bracket x 2
- ② 610mm Rail x 1
- ③ 140° Bracket x 1
- ④ 825mm Rail x 1

**Fixing Kit
(unnumbered components)**

- Fixing Bracket x 3
- Coach Screw x 3
- Washer x 3
- Grub Screw x 7
- O Ring x 3

ALTERNATIVE INSTALL FORMAT

Modularity of product permits installation on either the left or right hand walls.



Note: Dimensions are nominal measurements only

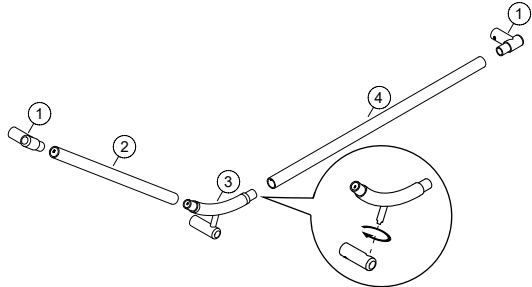
INSTALLATION GUIDE



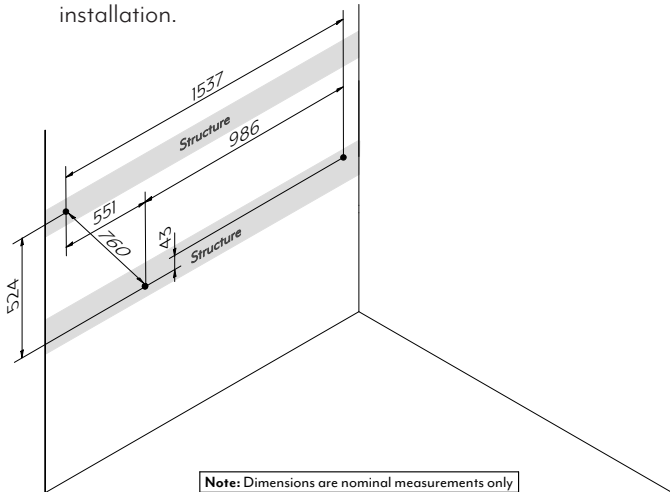
Note: This product must be installed by a licensed tradesperson.

This product's install must comply with AS1428.1 for installation within Australia. This is a general installation guide - there are many factors that are involved that can alter the installation method. **ABI takes no responsibility if your product is not fixed to adequate wall structure.**

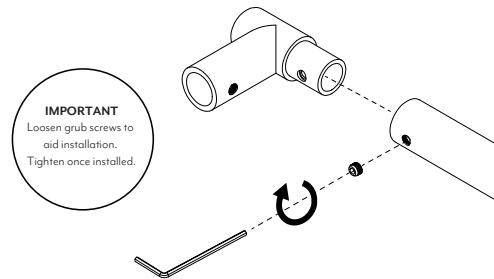
- 1 For rough in, refer to Step 3 for wall structure set out.**
Set out grab rail in numbered configuration as illustrated below.
(Numbered indication appears on previous page).



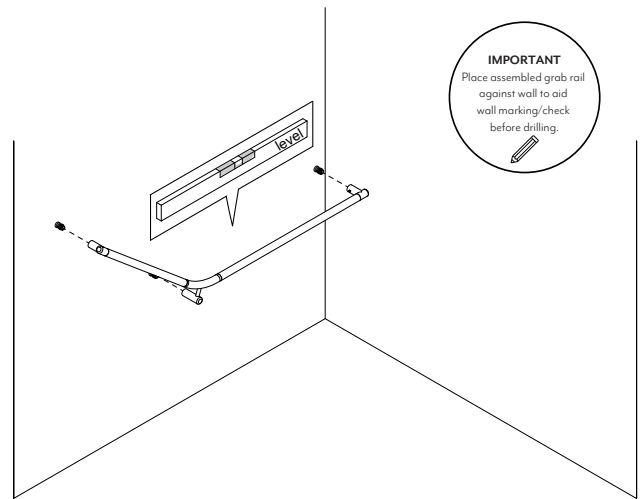
- 3** Mark out fixing points centre to centre, on a level floor, ensuring grab rail placement meets **AS1428.1:2021 standards.** Refer to alternative install location instructions for opposite wall installation.



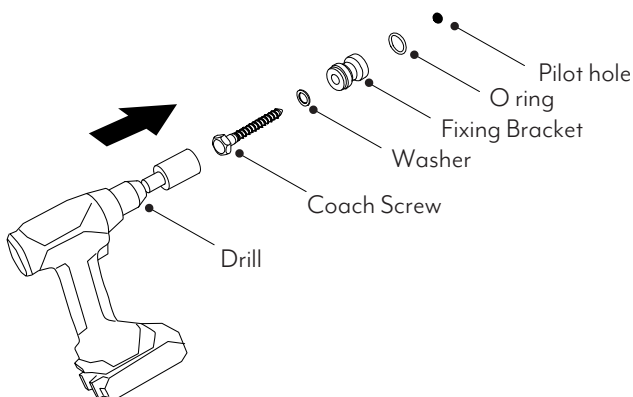
- 2** Fix grab rails to brackets using allen key provided.
Note: do not tighten grub screws completely, this aids wall mount install process.



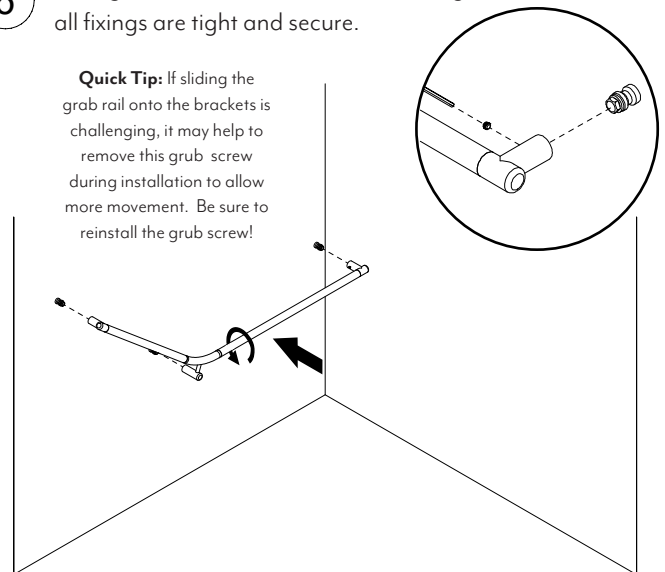
- 4** Align fixing points with rail configuration, using a level, double check fixing location. Drill pilot holes accordingly.



- 5** Secure fixing brackets at previously marked fixing location. Ensure fixing is level & fixed into appropriate structural support.



- 6** Slide grab rails onto brackets & fix with grub screw. Ensure all fixings are tight and secure.



Regularly clean with mild liquid detergent or soap and water.



DO NOT use cream cleaners or bleach. These substances are abrasive.



DO NOT use cleaning pads with abrasive surfaces as this may scratch the material.