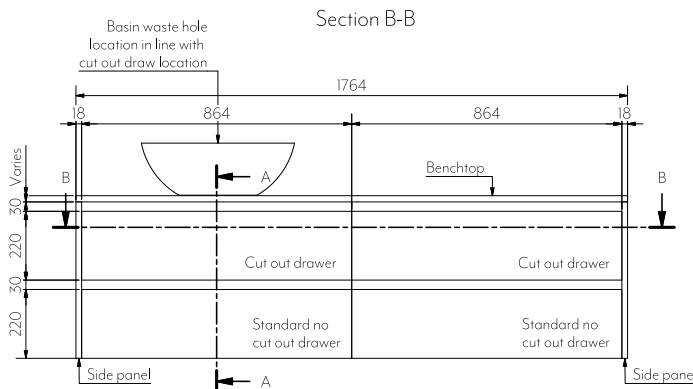
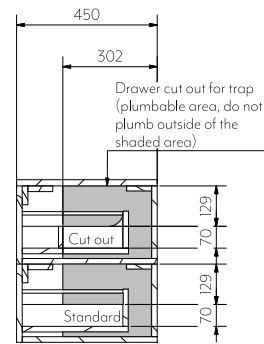


Cut out draw must align with plumbing, it can be installed on both left and right sides of vanity.



Note: Shaker panel requires cabinetry pulls

Front View



Section A-A

Key: Plumable area shaded

Note: See checkout for vanity benchtop options

Note: Dimensions are nominal measurements only

SPECIFICATIONS

RECOMMENDED USE

Domestic

CONSTRUCTION

High density moisture resistant particle board, soft close drawers

INSTALLATION

Wall mounted, no cabinetry pull required Wall mounted, no cabinetry pull required

DRAWERS

2x Cut out drawer
2x Standard drawers

GENERAL WALL HUNG VANITY INSTALLATION GUIDE

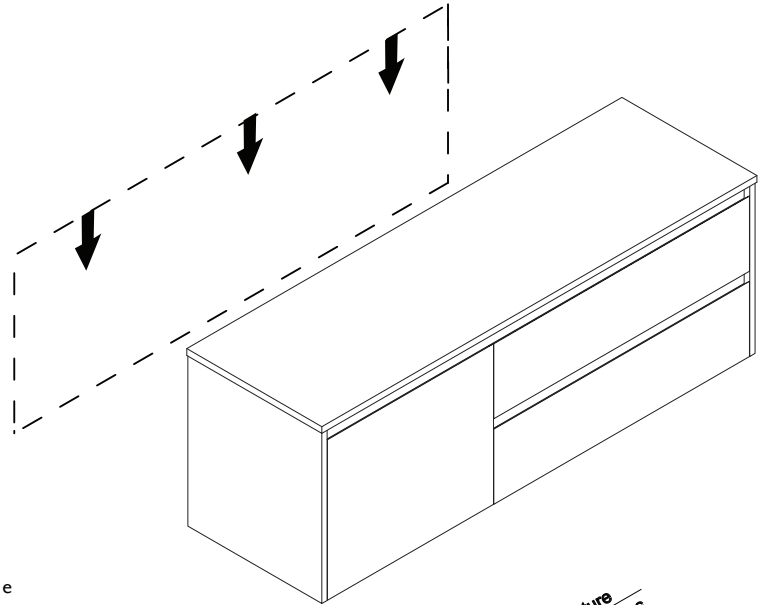


This installation guide is general and covers our wall hung vanity range, the vanity illustrated may not be the same as your purchased vanity.

This product must be installed by a licensed tradesperson. This is a general installation guide there are many factors that are involved that can alter the installation method.

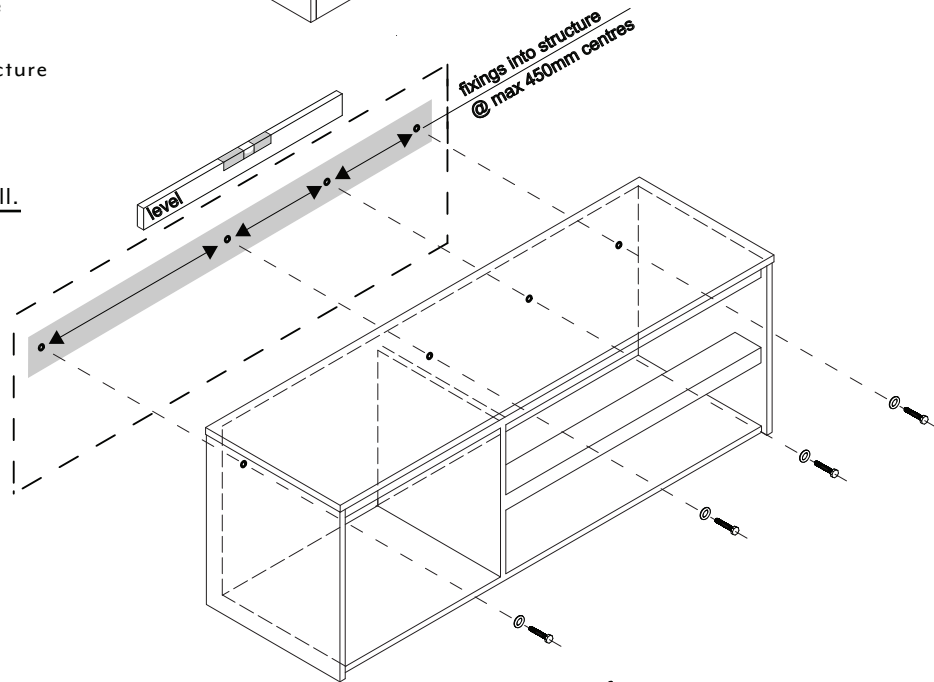
Our vanities do not come with pre-cut holes to stone or timber for your bench mixers and basins. These are to be cut by the purchaser at their discretion.

- 1 Check the desired height of vanity from floor.



- 2 If correct height and position is suitable, level the top of the vanity & mark out desired position. Drill holes through the back of vanity into structure within wall.

Notes: ensure adequate fixings are fixed at maximum 450 centres into structure within wall. ABI takes no responsibility if vanity is not fixed into wall structure. Fixings and drill bit not included in vanity purchase.



- 3 Silicon top and sides of vanity if necessary.

